



MODEL KAWASAKI Z 1000

YEAR 2007-->

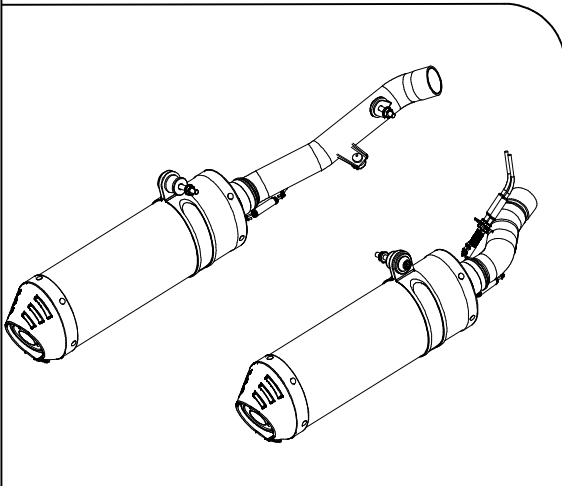
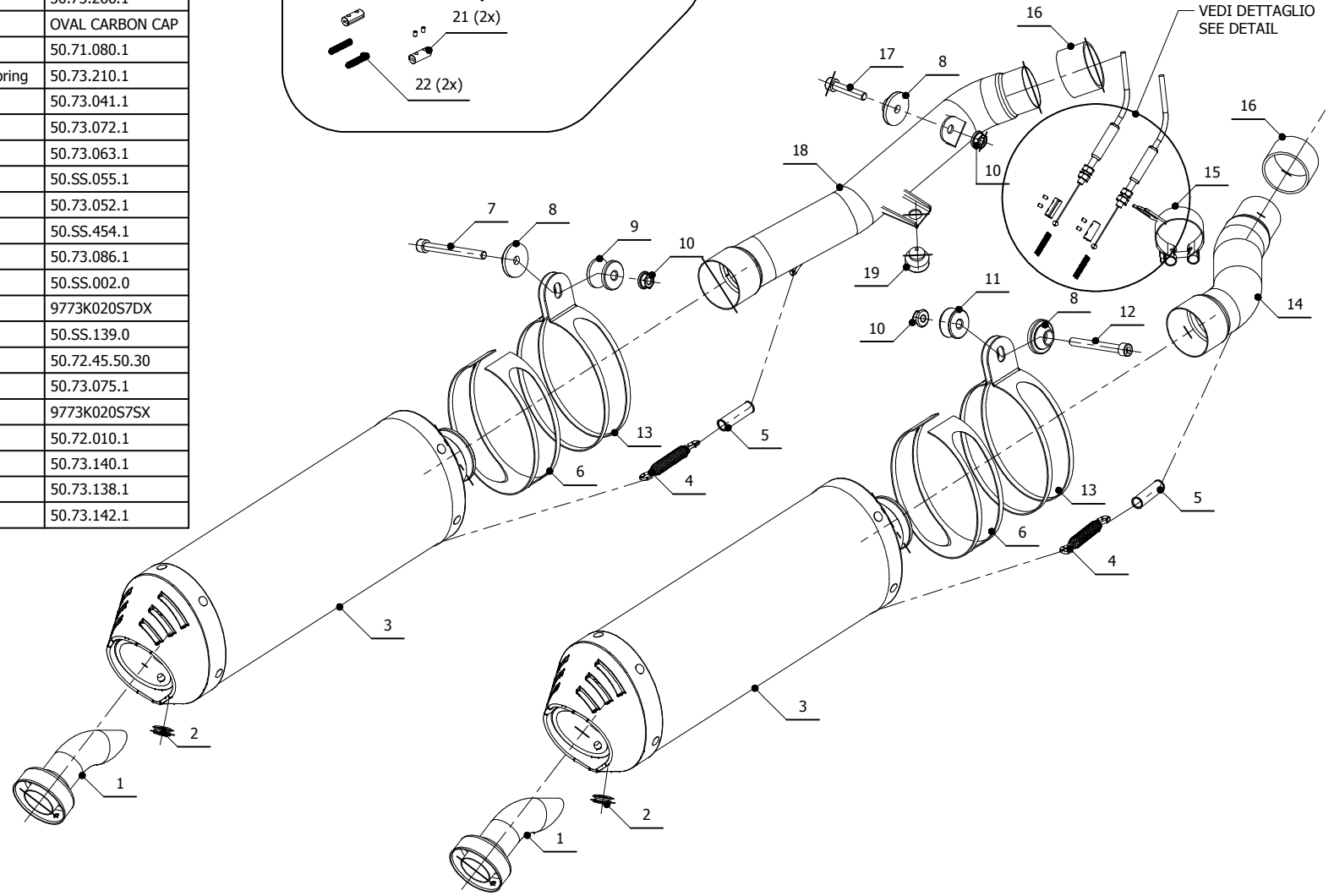
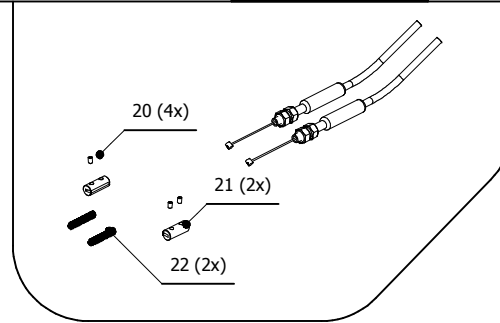
LINE SPORT

MUFFLER OVAL CARBON CAP

SCHEMATIC

ELENCO PARTI / PARTS LIST

#	QTÀ / QTY	DESCRIZIONE / DESCRIPTION	CODICE / CODE
1	2	DB killer / DB killer	50.DK.020.0
2	2	Tappo in gomma / Rubber stopper	50.73.266.1
3	2	Silenziatore / Muffler	OVAL CARBON CAP
4	2	Molla lunga / Long spring	50.71.080.1
5	2	Tubo in gomma per molla / Rubber pipe for spring	50.73.210.1
6	2	Protezione in gomma / Rubber protection	50.73.041.1
7	1	Vite M8x80 / Screw M8x80	50.73.072.1
8	3	Rondella in alluminio / Aluminium washer	50.73.063.1
9	1	Distanziale in alluminio / Aluminium spacer	50.SS.055.1
10	3	Dado 8 MA flangiato / Flanged nut 8 MA	50.73.052.1
11	1	Distanziale in alluminio / Aluminium spacer	50.SS.454.1
12	1	Vite M8x70 / Screw M8x70	50.73.086.1
13	2	Staffa / Bracket	50.SS.002.0
14	1	Tubo di raccordo destro / Right link pipe	9773K020S7DX
15	1	Fascetta passacavi / fairlead clamp	50.SS.139.0
16	2	Guarnizione in grafite / Graphite bush	50.72.45.50.30
17	1	Vite M8x40 / Screw M8x40	50.73.075.1
18	1	Tubo di raccordo sinistro / Left link pipe	9773K020S7SX
19	1	Gommino paracolpi / Rubber buffer	50.72.010.1
20	4	Grani M3 / Grub screws M3	50.73.140.1
21	2	Morsetti in alluminio / Aluminium clamps	50.73.138.1
22	2	Molla / Spring	50.73.142.1



APPLICAZIONI / APPLICATIONS

CODICE / CODE	TUBO / PIPE	SILENZIATORE / MUFFLER	FASCETTA / CLAMP
K.020.LEC	INOX / ST.STEEL	CARBONIO (COPPA CARBONIO) / CARBON (CARBON CAP)	INOX / ST.STEEL
K.020.LNC	INOX / ST.STEEL	TITANIO (COPPA CARBONIO) / TITANIUM (CARBON CAP)	INOX / ST.STEEL