



MODEL BMW K 1300R / K 1300 S

YEAR 2009 -->

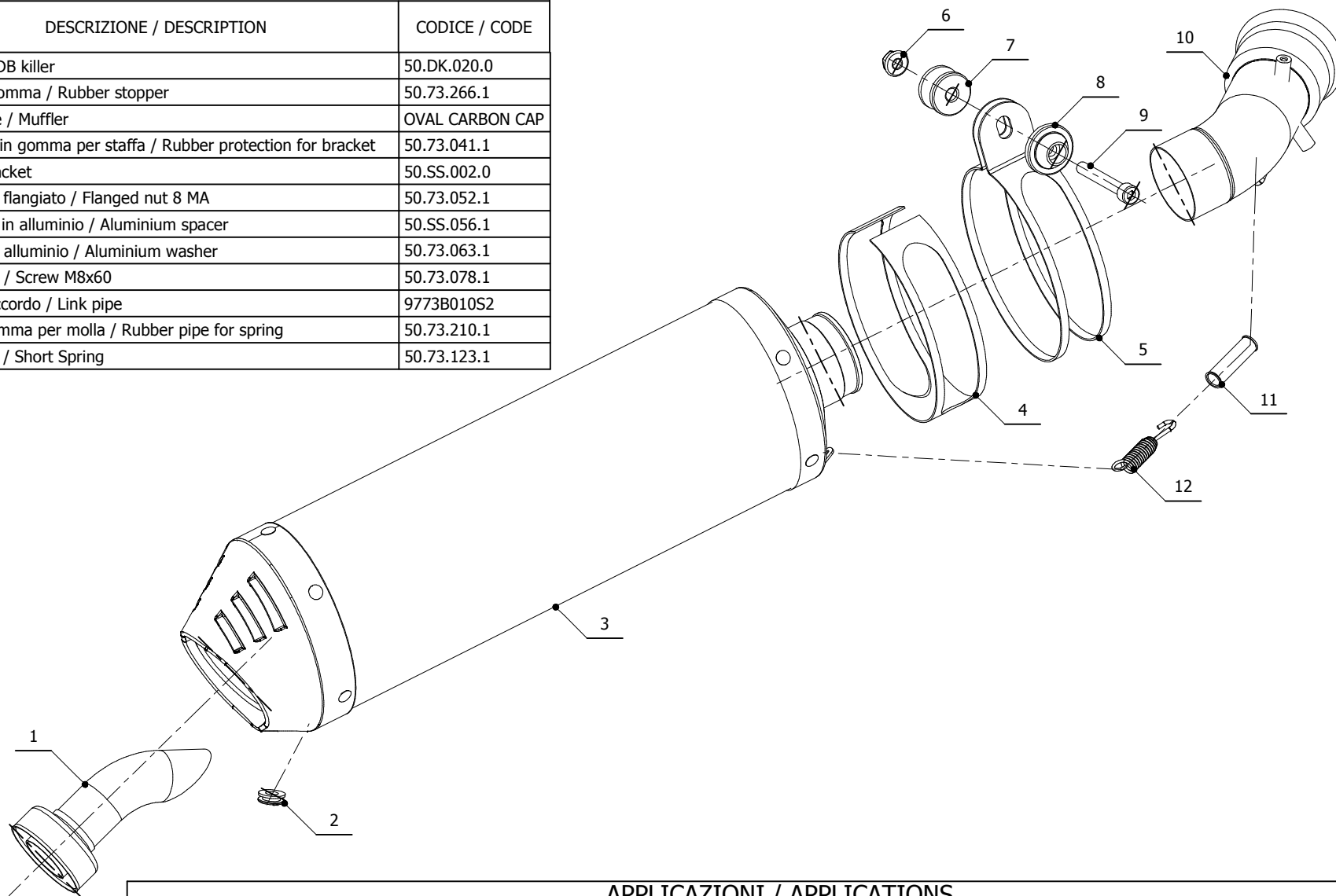
LINE SPORT

MUFFLER OVAL CARBON CAP

SCHEMATIC

ELENCO PARTI / PARTS LIST

#	QTÀ / QTY	DESCRIZIONE / DESCRIPTION	CODICE / CODE				
1	1	DB killer / DB killer	50.DK.020.0				
2	1	Tappo in gomma / Rubber stopper	50.73.266.1				
3	1	Silenziatore / Muffler	OVAL CARBON CAP				
4	1	Protezione in gomma per staffa / Rubber protection for bracket	50.73.041.1				
5	1	Staffa / Bracket	50.SS.002.0				
6	1	Dado 8 MA flangiato / Flanged nut 8 MA	50.73.052.1				
7	1	Distanziale in alluminio / Aluminium spacer	50.SS.056.1				
8	1	Rondella in alluminio / Aluminium washer	50.73.063.1				
9	1	Vite M8x60 / Screw M8x60	50.73.078.1				
10	1	Tubo di raccordo / Link pipe	9773B010S2				
11	1	Tubo in gomma per molla / Rubber pipe for spring	50.73.210.1	12	1	Molla corta / Short Spring	50.73.123.1
12	1	Molla corta / Short Spring	50.73.123.1				



APPLICAZIONI / APPLICATIONS

CODICE / CODE	TUBO / PIPE	SILENZIATORE / MUFFLER	FASCETTA / CLAMP
B.010.LEC	INOX / ST.STEEL	CARBONIO (COPPA CARBONIO) / CARBON (CARBON CAP)	INOX / ST.STEEL
B.010.LNC	INOX / ST.STEEL	TITANIO (COPPA CARBONIO) / TITANIUM (CARBON CAP)	INOX / ST.STEEL