



**MODEL** BMW R 1200 GS

**YEAR** 2013 -->

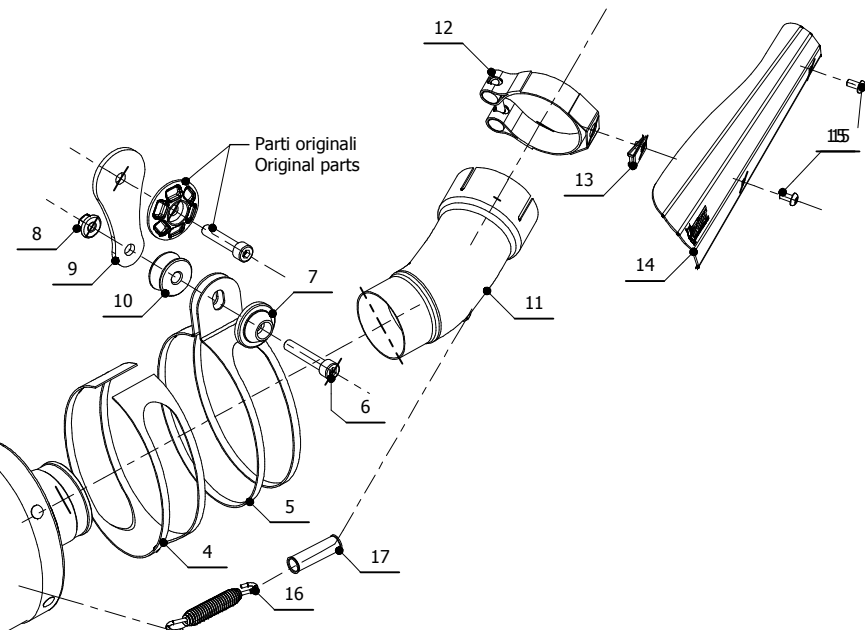
**LINE** SPORT

**MUFFLER** OVAL CARBON CAP

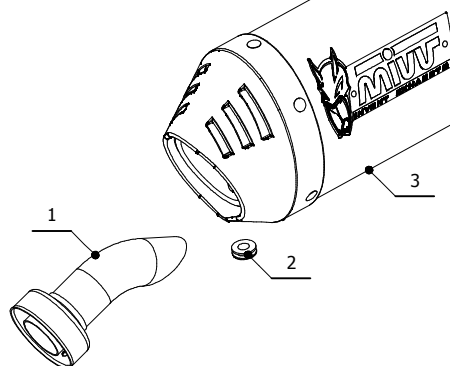
**SCHEMATIC**

**ELENCO PARTI / PARTS LIST**

| #  | QTÀ / QTY | DESCRIZIONE / DESCRIPTION                                      | CODICE / CODE   |
|----|-----------|--|-----------------|
| 1  | 1         | DB killer / DB killer  | 50.DK.020.0     |
| 2  | 1         | Tappo in gomma / Rubber stopper                                | 50.73.266.1     |
| 3  | 1         | Silenziatore / Muffler   | OVAL CARBON CAP |
| 4  | 1         | Protezione in gomma per staffa / Rubber protection for bracket | 50.73.041.1     |
| 5  | 1         | Staffa / Bracket   | 50.SS.002.0     |
| 6  | 1         | Vite M8x45 / Screw M8x45                                       | 50.73.602.1     |
| 7  | 1         | Rondella in alluminio / Aluminium washer                       | 50.73.063.1     |
| 8  | 1         | Dado 8 MA flangiato / Flanged nut 8 MA                         | 50.73.393.1     |
| 9  | 1         | Staffa / Bracket   | 50.SS.750.0     |
| 10 | 1         | Distanziale in alluminio / Aluminium spacer                    | 50.SS.454.1     |
| 11 | 1         | Tubo di raccordo / Link pipe                                   | 9773B016SE      |
| 12 | 1         | Fascetta Ø 64/67 mm / Pipe clamp Ø 64/67 mm                    | 50.73.681.0     |
| 13 | 1         | Dado rapido M5 / M5 Cage nut                                   | 50.73.674.1     |
| 14 | 1         | Copertura in alluminio / Aluminium cover                       | 50.CR.018.0     |
| 15 | 2         | Vite M5 x 8 / Screw M5 x 8                                     | 50.73.233.1     |
| 16 | 1         | Molla lunga / Long spring                                      | 50.71.080.1     |
| 17 | 1         | Tubo in gomma per molla / Rubber pipe for spring               | 50.73.210.1     |



**OPTIONAL PARTS**  
**B.016.C1 - NO KAT PIPE**



**APPLICAZIONI / APPLICATIONS**

| CODICE / CODE | TUBO / PIPE     | SILENZIATORE / MUFFLER                           | FASCETTA / CLAMP |
|---------------|-----------------|--|------------------|
| B.016.LEC     | INOX / ST.STEEL | CARBONIO (COPPA CARBONIO) / CARBON (CARBON CAP)  | INOX / ST.STEEL  |
| B.016.LNC     | INOX / ST.STEEL | TITANIO (COPPA CARBONIO) / TITANIUM (CARBON CAP) | INOX / ST.STEEL  |