



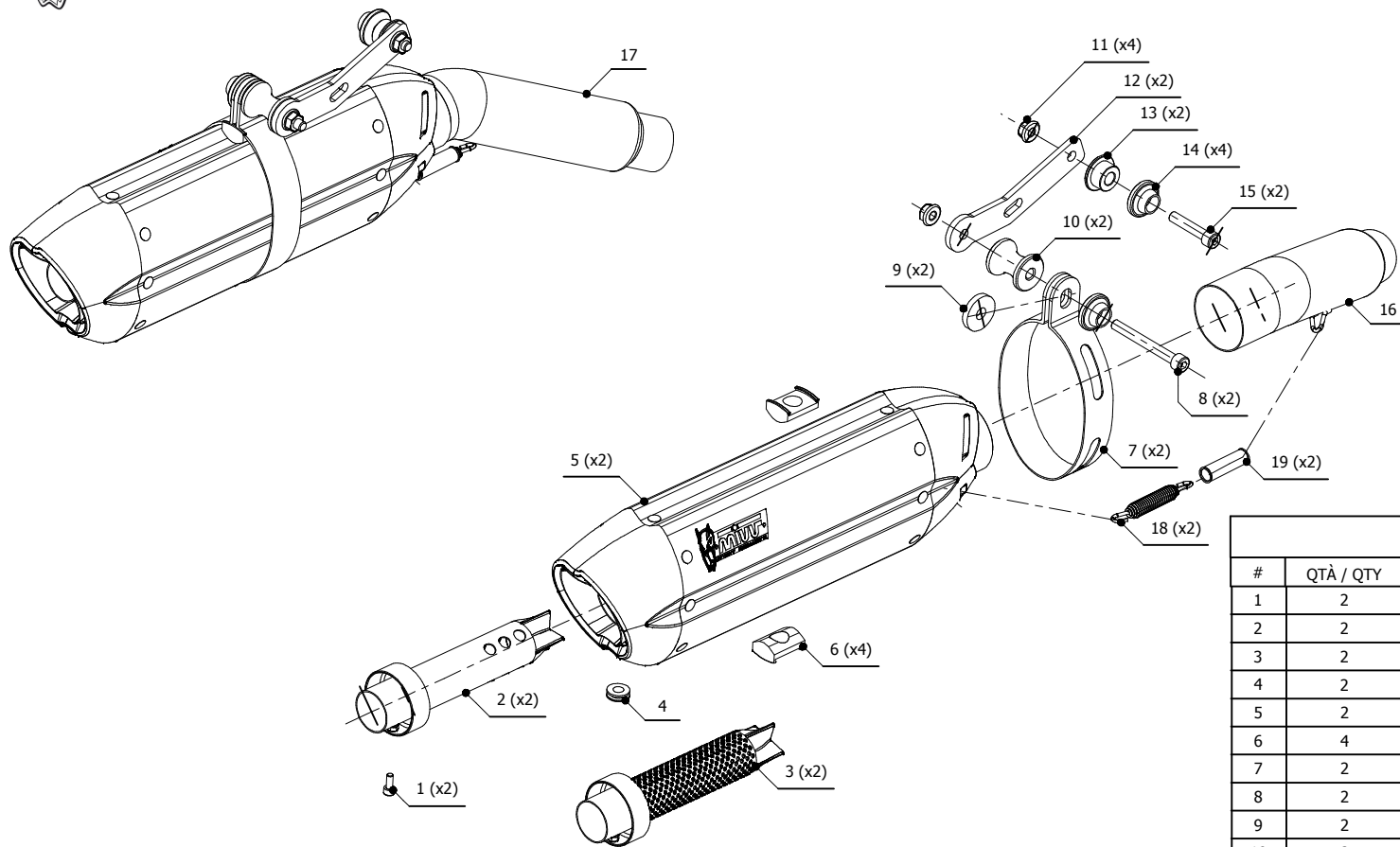
MODEL DUCATI MONSTER 695

YEAR 2006 -->

LINE SPORT

MUFFLER SUONO

SCHEMATIC



ELENCO PARTI / PARTS LIST			
#	QTÀ / QTY	DESCRIZIONE / DESCRIPTION	CODICE / CODE
1	2	Vite M5x12 / Screw M5 x 12	50.73.628.1
2	2	DB killer / DB killer	50.DK.070.0
3	2	Db Killer forato opzionale / Optional drilled DB killer	50.DK.071.0
4	2	Tappo in gomma / Rubber stopper	50.73.266.1
5	2	Silenziatore / Muffler	SUONO 270
6	4	Tassello grande / Rubber big block	50.73.203.1
7	2	Staffa in carbonio / Carbon fiber bracket	50.SS.180.1
8	2	Vite M8x70 / Screw M8x70	50.73.086.1
9	2	Rondella in gomma / Rubber washer	50.73.227.1
10	2	Distanziale in alluminio / Aluminium spacer (Øe.30 Øi.8,5 h.35)	50.SS.053.1
11	4	Dado M8 flangiato / Flanged nut M8	50.73.393.1
12	2	Staffa / Bracket	50.SS.024.1
13	2	Bussola in alluminio / Aluminium bush	50.73.182.1
14	4	Rondella in alluminio nera / Black aluminium washer	50.73.221.1
15	2	Vite M8x40 / Screw M8x40	50.73.075.1
16	1	Tubo di raccordo destro / Right link pipe	9773D017S2DX
17	1	Tubo di raccordo sinistro / Left link pipe	9773D017S2SX
18	2	Molla lunga / Long spring	50.71.080.1
19	2	Tubo in gomma per molla / Rubber pipe for spring	50.73.210.1



APPLICAZIONI / APPLICATIONS

CODICE / CODE	TUBO / PIPE	SILENZIATORE / MUFFLER	FASCETTA / CLAMP
D.019.L7	INOX / ST. STEEL	INOX (COPPE CARBONIO) / ST. STEEL (CARBON CAPS)	CARBONIO / CARBON FIBER
D.019.L9	INOX / ST. STEEL	STEEL BLACK	CARBONIO / CARBON FIBER