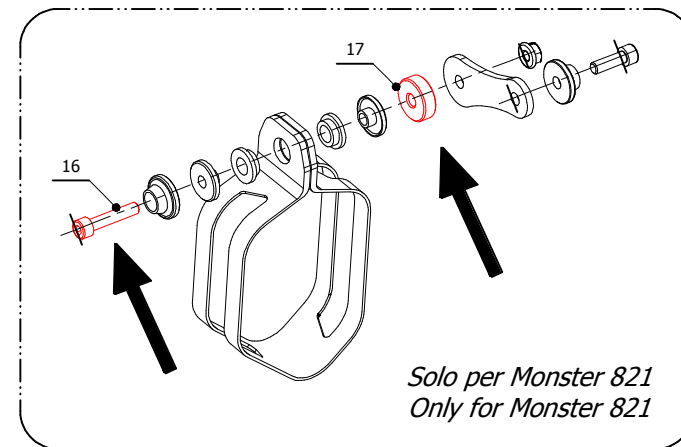
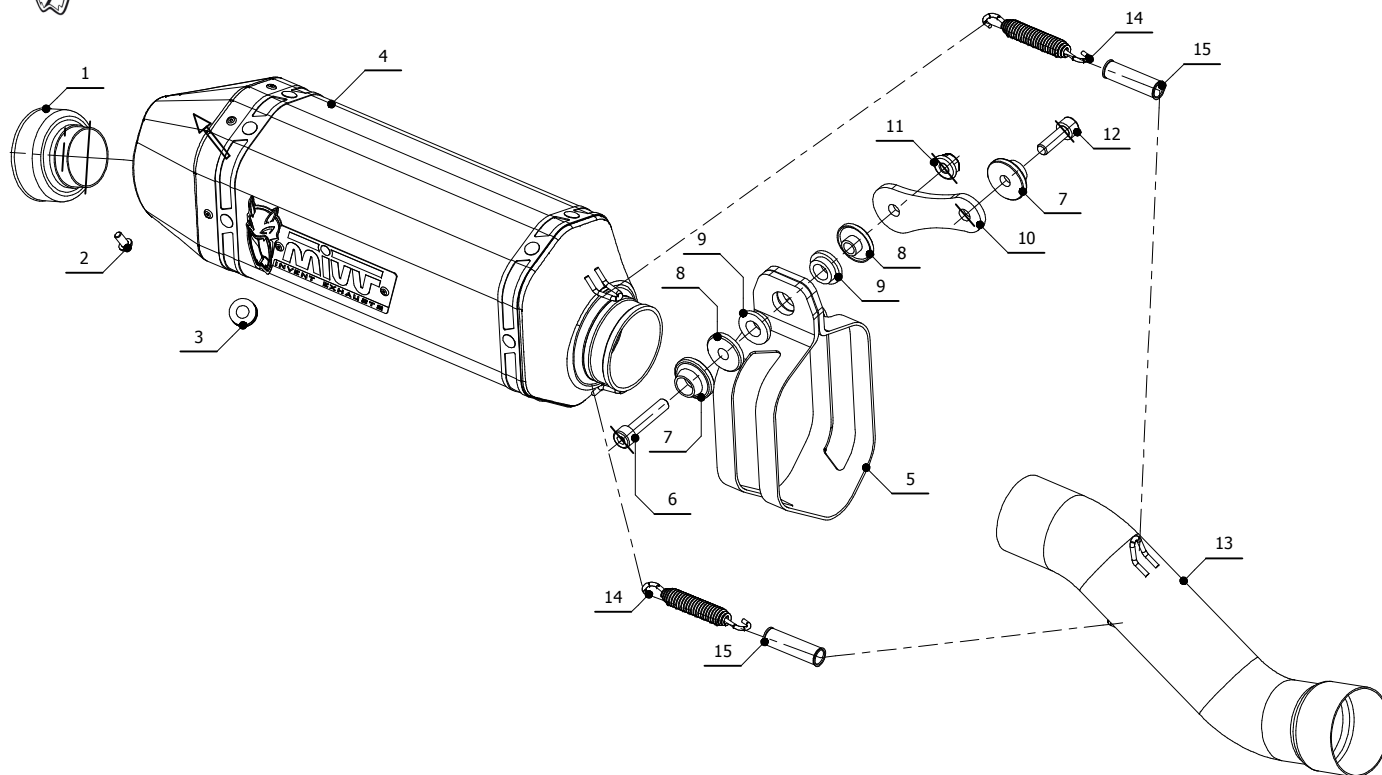




**MODEL** DUCATI MONSTER 1200  
DUCATI MONSTER 821  
**LINE** SPORT

**YEAR** 2014-->  
2015-->  
**MUFFLER** SPEED EDGE

**SCHEMATIC**



*Solo per Monster 821  
Only for Monster 821*



MONSTER 1200



MONSTER 821

**APPLICAZIONI / APPLICATIONS**

CODICE / CODE	TUBO / PIPE	SILENZIATORE / MUFFLER	FASCETTA / CLAMP
D.030.LRX	INOX / ST. STEEL	INOX (COPPE CARBONIO) / ST. STEEL (CARBON CAPS)	CARBONIO / CARBON FIBER
D.030.LRB	INOX / ST. STEEL	STEEL BLACK	CARBONIO / CARBON FIBER

**ELENCO PARTI / PARTS LIST**

#	QTÀ / QTY	DESCRIZIONE / DESCRIPTION	CODICE / CODE
1	1	DB killer / DB killer	50.DK.086.0
2	1	Vite M5 x 8 / Screw M5 x 8	50.73.459.1
3	1	Tappo in gomma / Rubber stopper	50.73.266.1
4	1	Silenziatore / Muffler	SPEED EDGE 250
5	1	Staffa in carbonio / Carbon fiber bracket	50.SS.814.1
6	1	Vite M8x40 / Screw M8x40	50.73.075.1
7	2	Rondella in alluminio nera / Black aluminium washer	50.73.221.1
8	2	Boccola / Bush	50.73.381.1
9	2	Silentblock / Silentblock	50.73.380.1
10	1	Staffa / Bracket	50.SS.718.0
11	1	Dado M8 flangiato / Flanged nut M8	50.73.393.1
12	1	Vite M8x25 / Screw M8x25	50.73.064.1
13	1	Tubo di raccordo / Link pipe	9773D030SRX
14	2	Molla media / Middle spring	50.73.359.1
15	2	Tubo in gomma per molla / Rubber pipe for spring	50.73.210.1
16	1	Vite M8x50 / Screw M8x50	50.73.074.1
17	1	Distanziale in alluminio / Aluminium spacer	50.SS.645.1