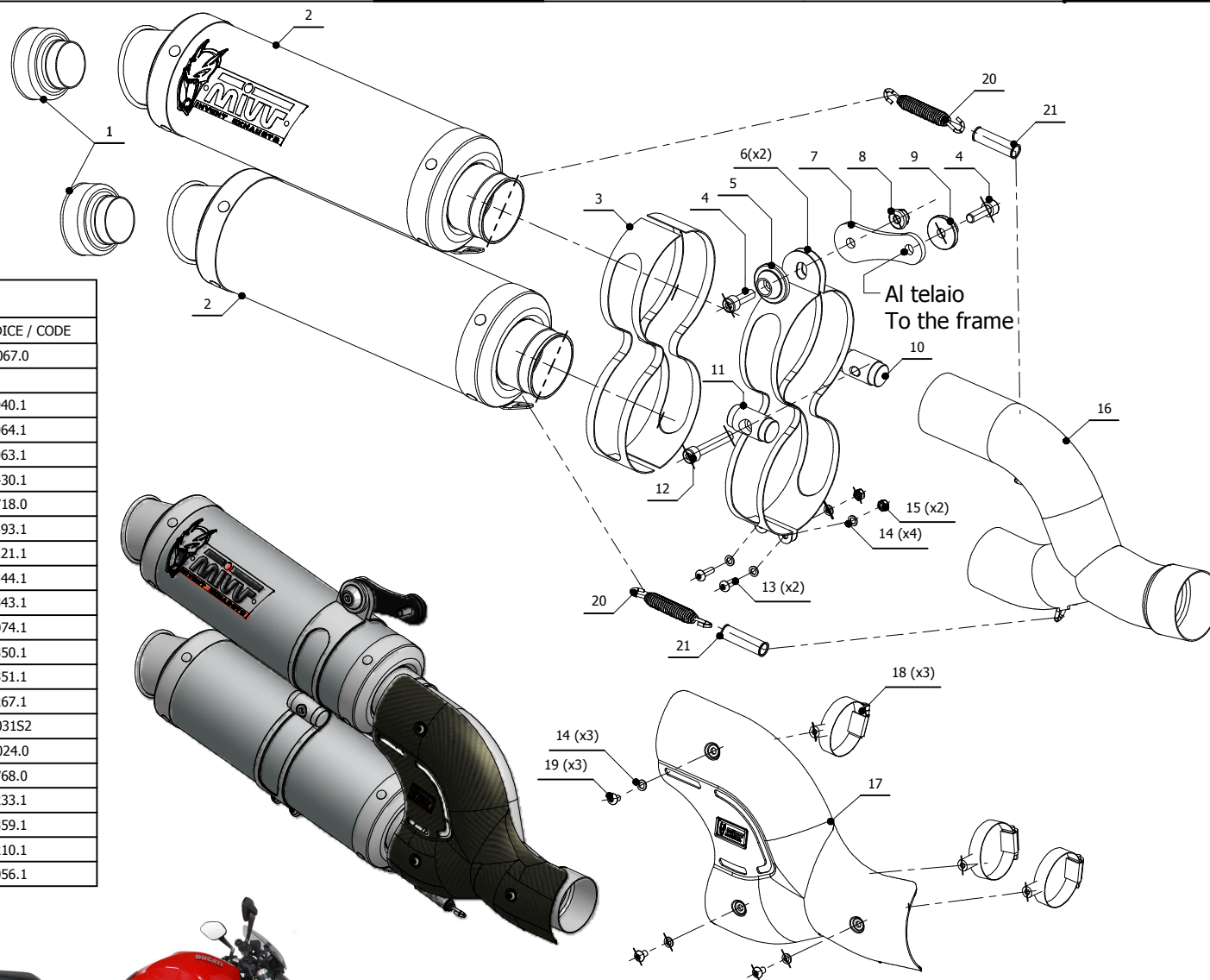
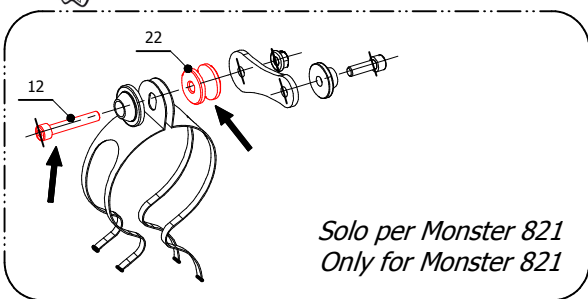




**MODEL** DUCATI MONSTER 1200  
 DUCATI MONSTER 821  
**LINE** SPORT

**YEAR** 2014 -->  
 2015 -->  
**MUFFLER** GP

**SCHEMATIC**



**ELENCO PARTI / PARTS LIST**

#	QTÀ / QTY	DESCRIZIONE / DESCRIPTION	CODICE / CODE
1	2	DB killer / DB killer	50.DK.067.0
2	2	Silenziatore / Muffler	GP
3	2	Protezione in gomma / Rubber protection	50.73.040.1
4	2	Vite M8x25 / Screw M8x25	50.73.064.1
5	1	Rondella in alluminio / Aluminium washer	50.73.063.1
6	2	Staffa / Bracket	50.SS.430.1
7	1	Staffa / Bracket	50.SS.718.0
8	1	Dado M8 flangiato / Flanged nut M8	50.73.393.1
9	1	Rondella in alluminio nera / Black aluminium washer	50.73.221.1
10	1	Bussola filettata / Threaded bush	50.73.344.1
11	1	Bussola forata / Drilled bush	50.73.343.1
12	2	Vite M8x50 / Screw M8x50	50.73.074.1
13	2	Vite M5 x 16 / Screw M5 x 16	50.73.350.1
14	7	Rondella M5 / Washer M5	50.73.351.1
15	2	Dado M5 / M5 nut	50.73.267.1
16	1	Tubo di raccordo / Link pipe	9773D031S2
17	1	Cover in carbonio / Carbon cover	50.CR.024.0
18	3	Fascetta con bussola / Pipe clamp with bush	50.73.768.0
19	3	Vite M5 x 8 / Screw M5 x 8	50.73.233.1
20	2	Molla media / Middle spring	50.73.359.1
21	2	Gommino per molla / Rubber for spring	50.73.210.1
22	1	Distanziale in alluminio / Aluminium spacer (Øe.30 Øl.8,5 h.20)	50.SS.056.1



**APPLICAZIONI / APPLICATIONS**

CODICE / CODE	TUBO / PIPE	SILENZIATORE / MUFFLER	FASCETTA / CLAMP
D.031.L2S	INOX / ST. STEEL	CARBONIO / CARBON FIBER	INOX / ST. STEEL
D.031.L6S	INOX / ST. STEEL	TITANIO / TITANIUM	INOX / ST. STEEL
D.031.LXB	INOX / ST. STEEL	STEEL BLACK	INOX / ST. STEEL