



MODEL HONDA CB 1000 R

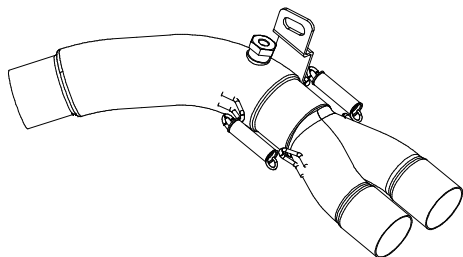
YEAR 2008 -->

LINE SPORT

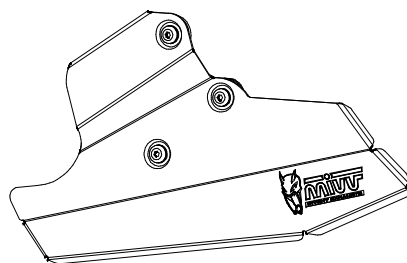
MUFFLER GP

SCHEMATIC

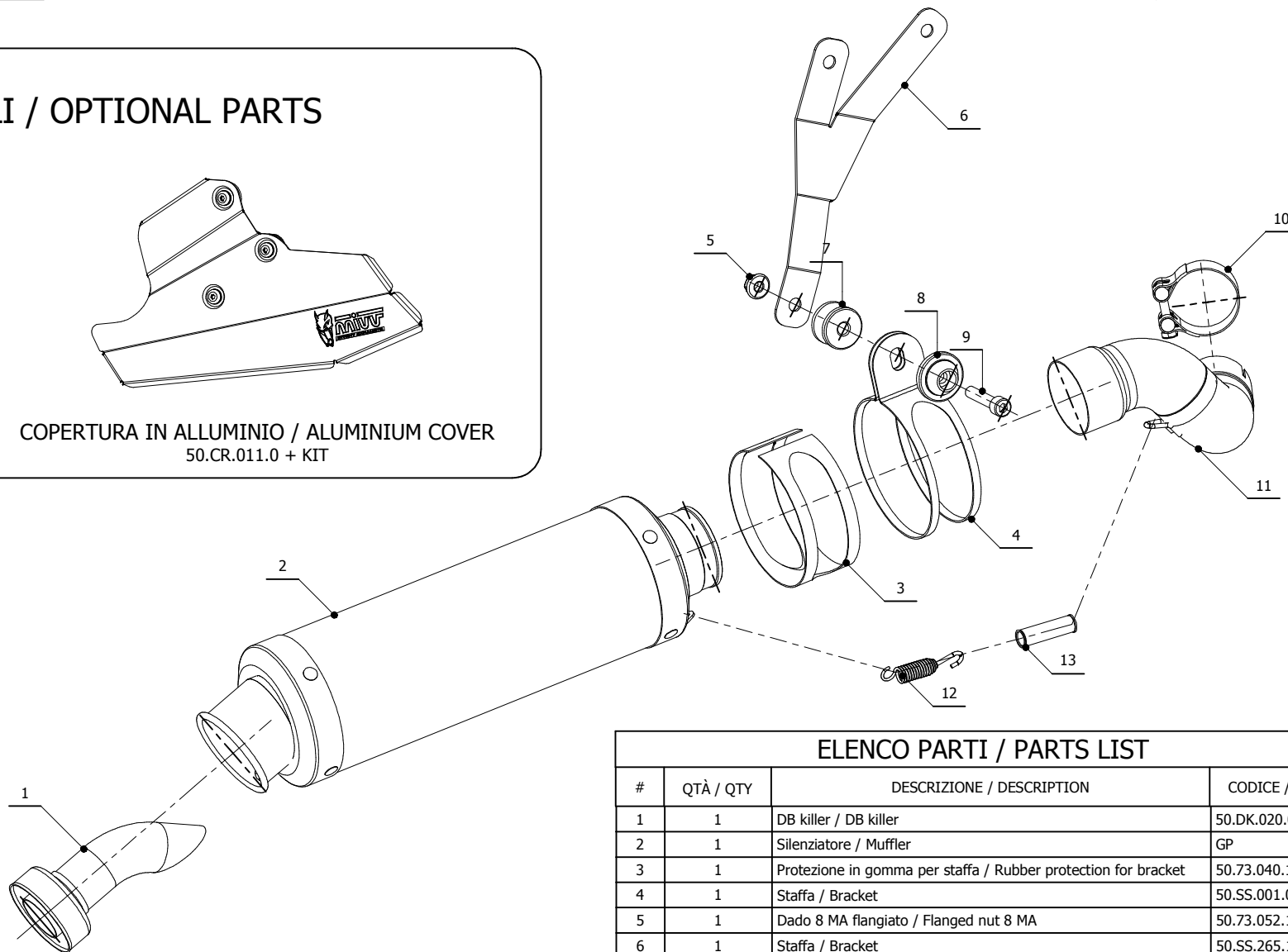
PARTI OPZIONALI / OPTIONAL PARTS



TUBO ELIMINA KAT / NO KAT PIPE
00.73.H.041.C1



COPERTURA IN ALLUMINIO / ALUMINIUM COVER
50.CR.011.0 + KIT



ELENCO PARTI / PARTS LIST

#	QTÀ / QTY	DESCRIZIONE / DESCRIPTION	CODICE / CODE
1	1	DB killer / DB killer	50.DK.020.0
2	1	Silenziatore / Muffler	GP
3	1	Protezione in gomma per staffa / Rubber protection for bracket	50.73.040.1
4	1	Staffa / Bracket	50.SS.001.0
5	1	Dado 8 MA flangiato / Flanged nut 8 MA	50.73.052.1
6	1	Staffa / Bracket	50.SS.265.1
7	1	Distanziale in alluminio / Aluminium spacer	50.SS.056.1
8	1	Rondella in alluminio / Aluminium washer	50.73.063.1
9	1	Vite M8x40 / Screw M8x40	50.73.075.1
10	1	Fascetta Ø 48/51 mm / Pipe clamp Ø 48/51 mm	50.FA.007.1
11	1	Tubo di raccordo / Link pipe	9773H041S2
12	1	Molla corta / Short Spring	50.73.123.1
13	1	Tubo in gomma per molla / Rubber pipe for spring	50.73.210.1

APPLICAZIONI / APPLICATIONS

CODICE / CODE	TUBO / PIPE	MUFFLER / SILENZIATORE	FASCETTA / CLAMP
H.041.L2S	INOX / ST. STEEL	CARBONIO / CARBON FIBER	INOX / ST. STEEL
H.041.L6S	INOX / ST. STEEL	TITANIO / TITANIUM	INOX / ST. STEEL