



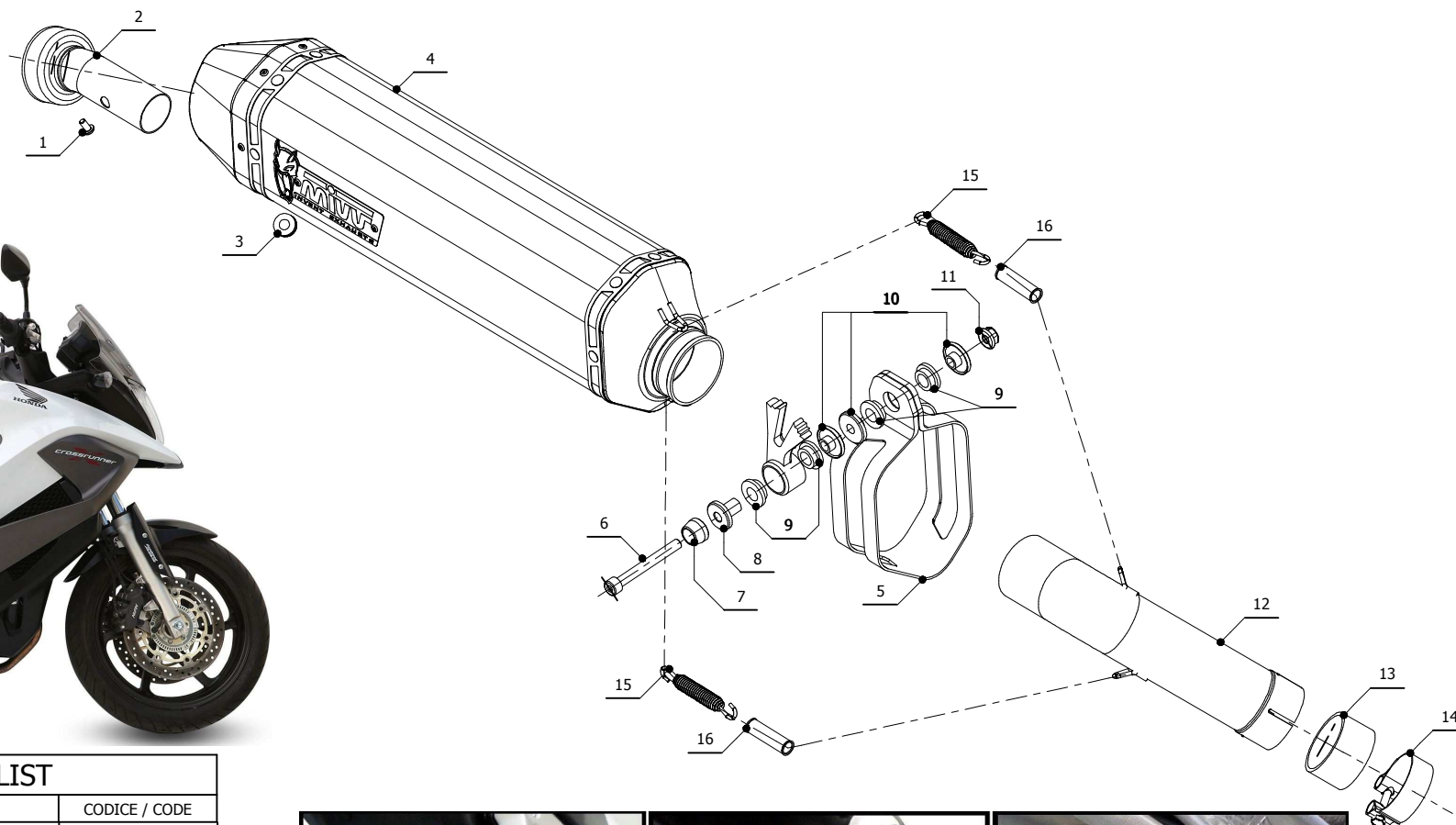
**MODEL** HONDA CROSSRUNNER

**YEAR** 2011 - 2014

**LINE** SPORT

**MUFFLER** SPEED EDGE

**SCHEMATIC**



**ELENCO PARTI / PARTS LIST**

#	QTÀ / QTY	DESCRIZIONE / DESCRIPTION	CODICE / CODE
1	1	Vite M5 x 8 / Screw M5 x 8	50.73.459.1
2	1	DB killer / DB killer	50.DK.064.0
3	1	Tappo in gomma / Rubber stopper	50.73.266.1
4	1	Silenziatore / Muffler	SPEED EDGE 400
5	1	Staffa in carbonio / Carbon fiber bracket	50.SS.814.1
6	1	Vite M8x70 / Screw M8x70	50.73.086.1
7	1	Rondella in alluminio / Aluminium washer	50.73.248.1
8	1	Bussola in alluminio / Aluminium bush	50.73.081.1
9	4	Silentblock / Silentblock	50.73.380.1
10	3	Boccola / Bush	50.73.381.1
11	1	Dado M8 flangiato / Flanged nut M8	50.73.393.1
12	1	Tubo di raccordo / Link pipe	9773H053SRX
13	1	Guarnizione in grafite / Graphite bush	50.72.48.54.30
14	1	Fascetta Ø 52/55 mm / Pipe clamp Ø 52/55 mm	50.FA.008.1
15	2	Molla media / Middle spring	50.73.359.1
16	2	Tubo in gomma per molla / Rubber pipe for spring	50.73.210.1



**APPLICAZIONI / APPLICATIONS**

CODICE / CODE	TUBO / PIPE	SILENZIATORE / MUFFLER	FASCETTA / CLAMP
H.053.LRX	INOX / ST. STEEL	INOX (COPPE CARBONIO) / ST. STEEL (CARBON CAPS)	CARBONIO / CARBON FIBER
H.053.LRB	INOX / ST. STEEL	STEEL BLACK	CARBONIO / CARBON FIBER