



MODEL KAWASAKI Z 750

YEAR 2007 -->

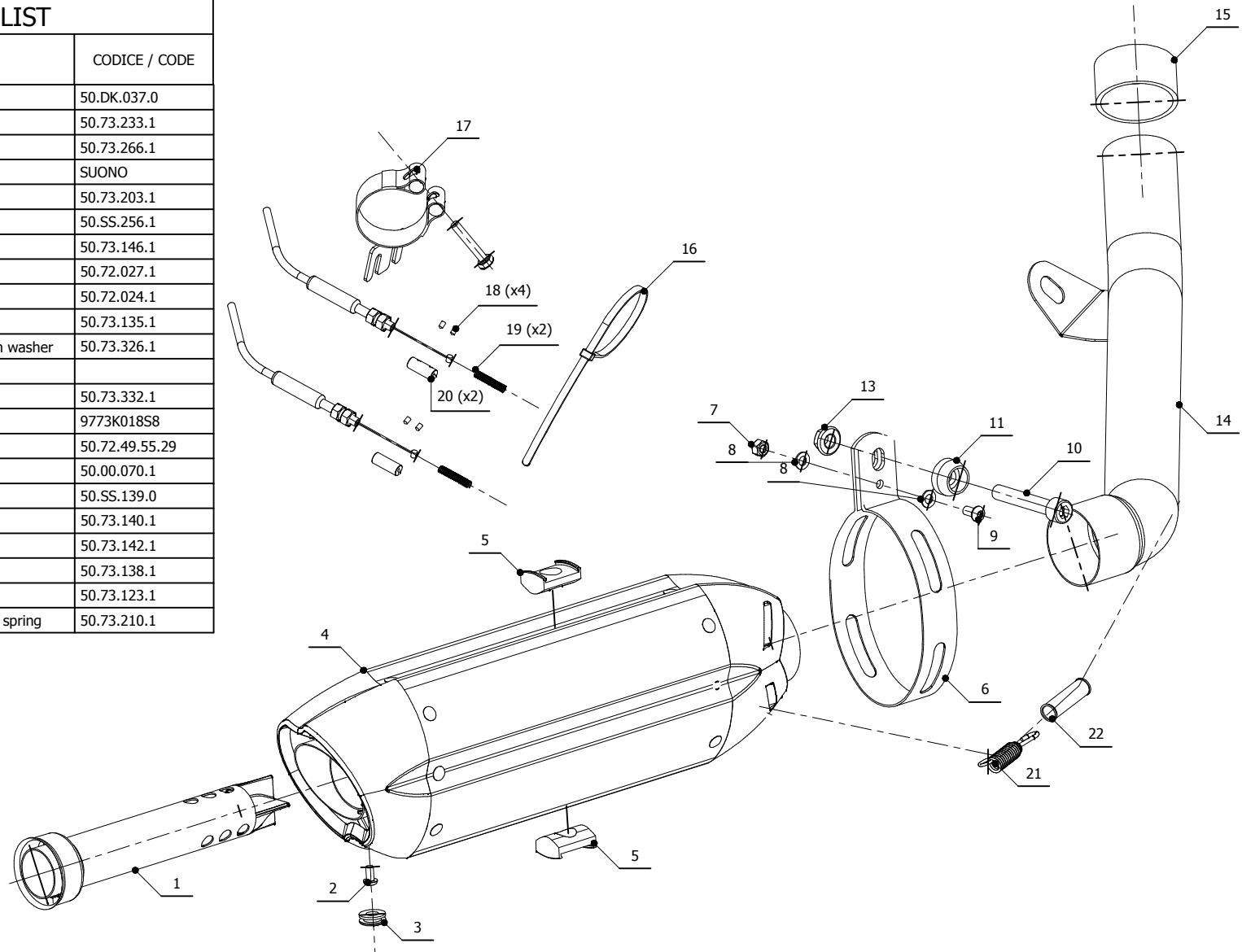
LINE SPORT

MUFFLER SUONO FULL TITANIUM

SCHEMATIC

ELENCO PARTI / PARTS LIST

| # | QTÀ / QTY | DESCRIZIONE / DESCRIPTION | CODICE / CODE |
|----|-----------|---|----------------|
| 1 | 1 | DB killer / DB killer | 50.DK.037.0 |
| 2 | 1 | Vite M5 x 8 / Screw M5 x 8 | 50.73.233.1 |
| 3 | 1 | Tappo in gomma / Rubber stopper | 50.73.266.1 |
| 4 | 1 | Silenziatore / Muffler | SUONO |
| 5 | 2 | Tassello grande / Rubber big block | 50.73.203.1 |
| 6 | 1 | Staffa in carbonio / Carbon fiber bracket | 50.SS.256.1 |
| 7 | 1 | Dado M6 / Nut M6 | 50.73.146.1 |
| 8 | 2 | Rondella M6 / Washer M6 | 50.72.027.1 |
| 9 | 1 | Vite M6 x 12 / Screw M6 x 12 | 50.72.024.1 |
| 10 | 1 | Vite M10x60 / Screw M10x60 | 50.73.135.1 |
| 11 | 1 | Rondella in alluminio nera / Black aluminium washer | 50.73.326.1 |
| 12 | | | |
| 13 | 1 | Dado 10 MA flangiato / Flanged nut 10 MA | 50.73.332.1 |
| 14 | 1 | Tubo di raccordo / Link pipe | 9773K018S8 |
| 15 | 1 | Guarnizione in grafite / Graphite bush | 50.72.49.55.29 |
| 16 | 1 | Fascette in nylon / Nylon clamp | 50.00.070.1 |
| 17 | 1 | Fascetta passacavi / fairlead clamp | 50.SS.139.0 |
| 18 | 4 | Grani M3 / Grub screws M3 | 50.73.140.1 |
| 19 | 2 | Molla / Spring | 50.73.142.1 |
| 20 | 2 | Morsetti in alluminio / Aluminium clamps | 50.73.138.1 |
| 21 | 1 | Molla corta / Short Spring | 50.73.123.1 |
| 22 | 1 | Tubo in gomma per molla / Rubber pipe for spring | 50.73.210.1 |



APPLICAZIONI / APPLICATIONS

| CODICE / CODE | TUBO / PIPE | SILENZIATORE / MUFFLER | FASCETTA / CLAMP |
|---------------|--------------------|---|-------------------------|
| K.018.L8 | TITANIO / TITANIUM | TITANIO (COPPE CARBONIO) / TITANIUM (CARBON CAPS) | CARBONIO / CARBON FIBER |