



MODEL KAWASAKI NINJA 250 R

YEAR 2008 -->

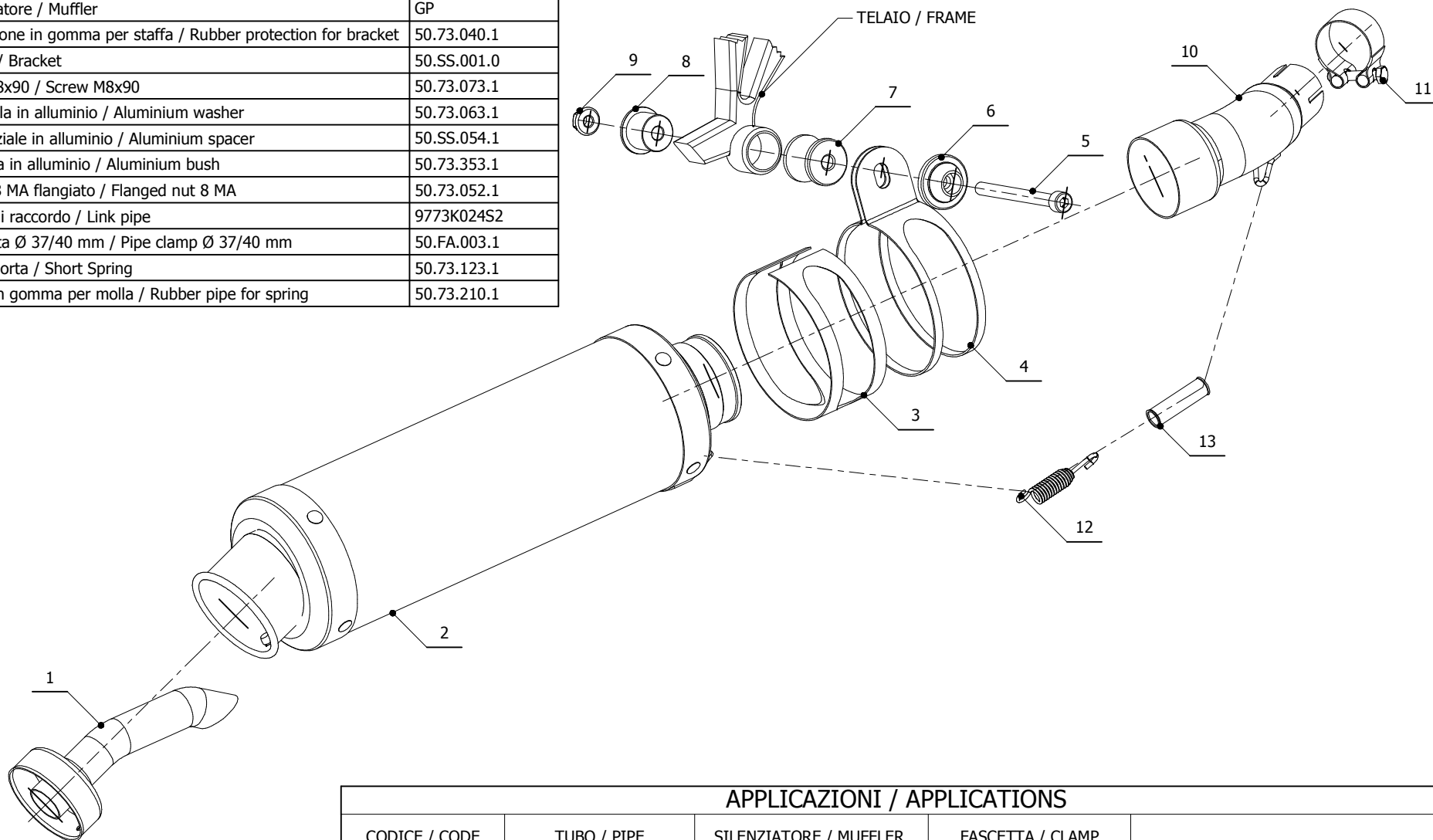
LINE SPORT

MUFFLER GP

SCHEMATIC

ELENCO PARTI / PARTS LIST

#	QTÀ / QTY	DESCRIZIONE / DESCRIPTION	CODICE / CODE
1	1	DB killer / DB killer	50.DK.021.0
2	1	Silenziatore / Muffler	GP
3	1	Protezione in gomma per staffa / Rubber protection for bracket	50.73.040.1
4	1	Staffa / Bracket	50.SS.001.0
5	1	Vite M8x90 / Screw M8x90	50.73.073.1
6	1	Rondella in alluminio / Aluminium washer	50.73.063.1
7	1	Distanziale in alluminio / Aluminium spacer	50.SS.054.1
8	1	Bussola in alluminio / Aluminium bush	50.73.353.1
9	1	Dado 8 MA flangiato / Flanged nut 8 MA	50.73.052.1
10	1	Tubo di raccordo / Link pipe	9773K024S2
11	1	Fascetta Ø 37/40 mm / Pipe clamp Ø 37/40 mm	50.FA.003.1
12	1	Molla corta / Short Spring	50.73.123.1
13	1	Tubo in gomma per molla / Rubber pipe for spring	50.73.210.1



APPLICAZIONI / APPLICATIONS

CODICE / CODE	TUBO / PIPE	SILENZIATORE / MUFFLER	FASCETTA / CLAMP
K.024.L2S	INOX / ST. STEEL	CARBONIO / CARBON FIBER	INOX / ST. STEEL
K.024.L6S	INOX / ST. STEEL	TITANIO / TITANIUM	INOX / ST. STEEL