



MODEL KAWASAKI ER-6n

YEAR 2012 -->

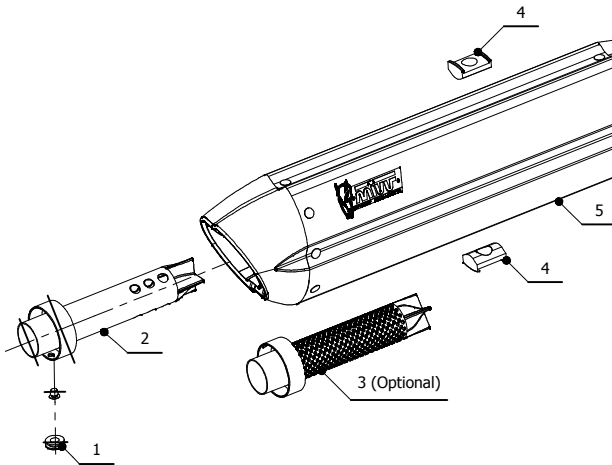
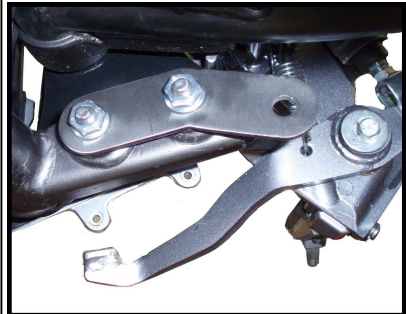
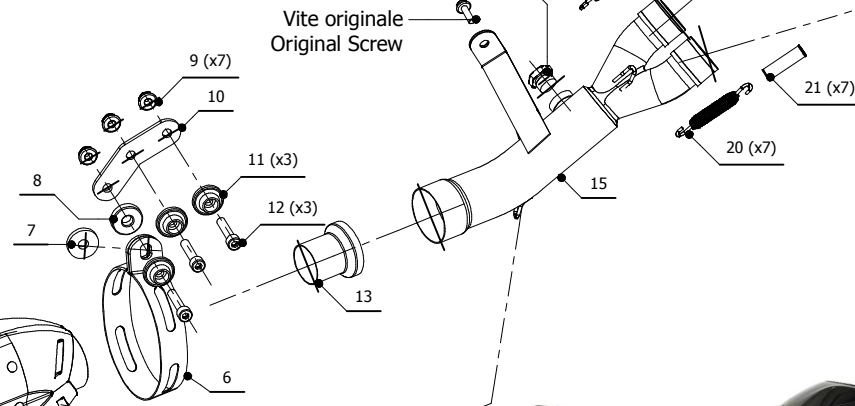
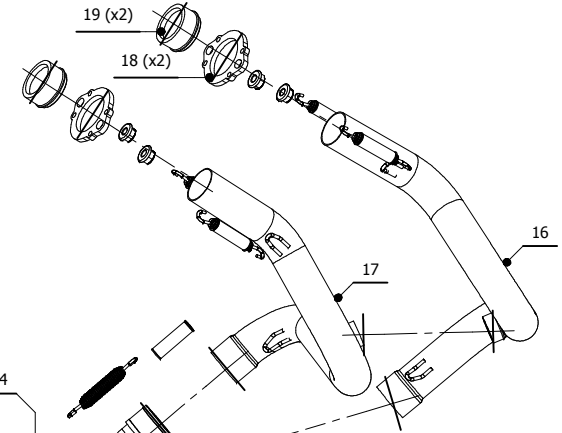
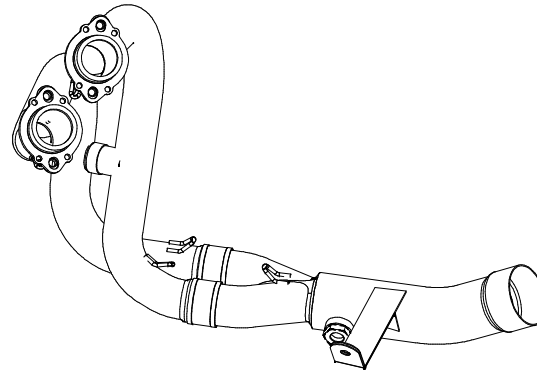
LINE SPORT

MUFFLER SUONO

SCHEMATIC

ELENCO PARTI / PARTS LIST

| # | QTÀ / QTY | DESCRIZIONE / DESCRIPTION | CODICE / CODE |
|----|-----------|---|---------------|
| 1 | 1 | Tappo in gomma / Rubber stopper | 50.73.266.1 |
| 2 | 1 | DB killer / DB killer | 50.DK.070.0 |
| 3 | 1 | Db Killer forato / Drilled DB killer | 50.DK.071.0 |
| 4 | 2 | Tassello grande / Rubber big block | 50.73.203.1 |
| 5 | 1 | Silenziatore / Muffler | SUONO 380 |
| 6 | 1 | Staffa in carbonio / Carbon fiber bracket | 50.SS.200.1 |
| 7 | 1 | Rondella in gomma / Rubber washer | 50.73.227.1 |
| 8 | 1 | Distanziale in alluminio / Aluminium spacer | 50.SS.061.1 |
| 9 | 7 | Dado 8 MA flangiato / Flanged nut 8 MA | 50.73.393.1 |
| 10 | 1 | Staffa / Bracket | 50.SS.695.0 |
| 11 | 3 | Rondella in alluminio nera / Black aluminium washer | 50.73.221.1 |
| 12 | 3 | Vite M8x40 / Screw M8x40 | 50.73.075.1 |
| 13 | 1 | DB killer / DB killer | 50.DK.065.0 |
| 14 | 1 | Tappo per sonda lambda / Stopper for lambda probe | 50.73.198.1 |
| 15 | 1 | Tubo di raccordo 2-1 / Link pipe 2-1 | 9773K029S7C |
| 16 | 1 | Tubo di raccordo / Link pipe | 9773K029S7A |
| 17 | 1 | Tubo di raccordo / Link pipe | 9773K029S7B |
| 18 | 2 | Flangia / Flange | 50.73.368.1 |
| 19 | 2 | Boccola / Bush | 50.73.367.1 |
| 20 | 7 | Molla media / Middle spring | 50.73.359.1 |
| 21 | 7 | Tubo in gomma per molla / Rubber pipe for spring | 50.73.210.1 |



APPLICAZIONI / APPLICATIONS

| CODICE / CODE | TUBO / PIPE | SILENZIATORE / MUFFLER | FASCETTA / CLAMP | CODICE OMOL. / HOMOL. COD |
|---------------|------------------|--|-------------------------|---------------------------|
| K.029.L7 | INOX / ST. STEEL | INOX (COPPE CARBONIO) / ST. STEEL (CARBON CAPS) | CARBONIO / CARBON FIBER | ME046 e9 1352 |
| K.029.L9 | INOX / ST. STEEL | INOX NERO (COPPE CARBONIO) / STEEL BLACK (CARBON CAPS) | CARBONIO / CARBON FIBER | ME046 e9 1352 |