



MODEL KTM 690 SM

YEAR 2007-->

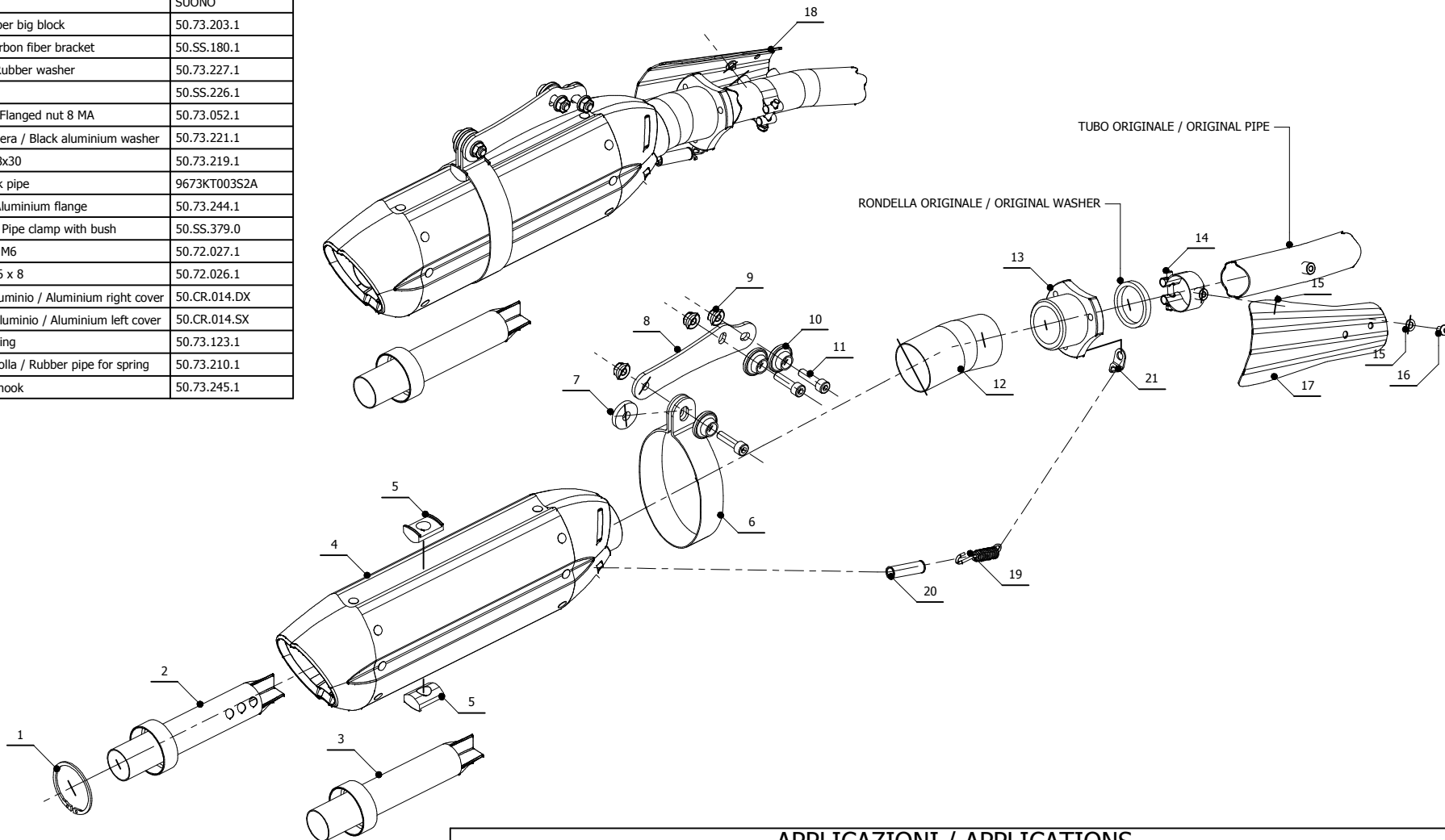
LINE SPORT

MUFFLER SUONO

SCHEMATIC

ELENCO PARTI / PARTS LIST

#	QTÀ / QTY	DESCRIZIONE / DESCRIPTION	CODICE / CODE
1	2	Anello Seger / Seger ring	50.73.218.1
2	2	DB killer / DB killer	50.DK.024.0
3	2	Db Killer forato / Drilled DB killer	50.DK.025.0
4	2	Silenziatore / Muffler	SUONO
5	4	Tassello grande / Rubber big block	50.73.203.1
6	2	Staffa in carbonio / Carbon fiber bracket	50.SS.180.1
7	2	Rondella in gomma / Rubber washer	50.73.227.1
8	2	Staffa / Bracket	50.SS.226.1
9	6	Dado 8 MA flangiato / Flanged nut 8 MA	50.73.052.1
10	6	Rondella in alluminio nera / Black aluminium washer	50.73.221.1
11	6	Vite M8x30 / Screw M8x30	50.73.219.1
12	2	Tubo di raccordo / Link pipe	9673KT003S2A
13	2	Flangia in alluminio / Aluminium flange	50.73.244.1
14	2	Fascetta con bussola / Pipe clamp with bush	50.SS.379.0
15	4	Rondella M6 / Washer M6	50.72.027.1
16	2	Vite M6 x 8 / Screw M6 x 8	50.72.026.1
17	1	Copertura destra in alluminio / Aluminium right cover	50.CR.014.DX
18	1	Copertura sinistra in alluminio / Aluminium left cover	50.CR.014.SX
19	2	Molla corta / Short Spring	50.73.123.1
20	2	Tubo in gomma per molla / Rubber pipe for spring	50.73.210.1
21	2	Gancio molla / Spring hook	50.73.245.1



APPLICAZIONI / APPLICATIONS

CODICE / CODE	TUBO / PIPE	SILENZIATORE / MUFFLER	FASCETTA / CLAMP
KT.003.L7	INOX / ST. STEEL	INOX (COPPE CARBONIO) / ST. STEEL (CARBON CAPS)	CARBONIO / CARBON FIBER
KT.003.L9	INOX / ST. STEEL	CARBONIO (COPPE CARBONIO) / CARBON (CARBON CAPS)	CARBONIO / CARBON FIBER