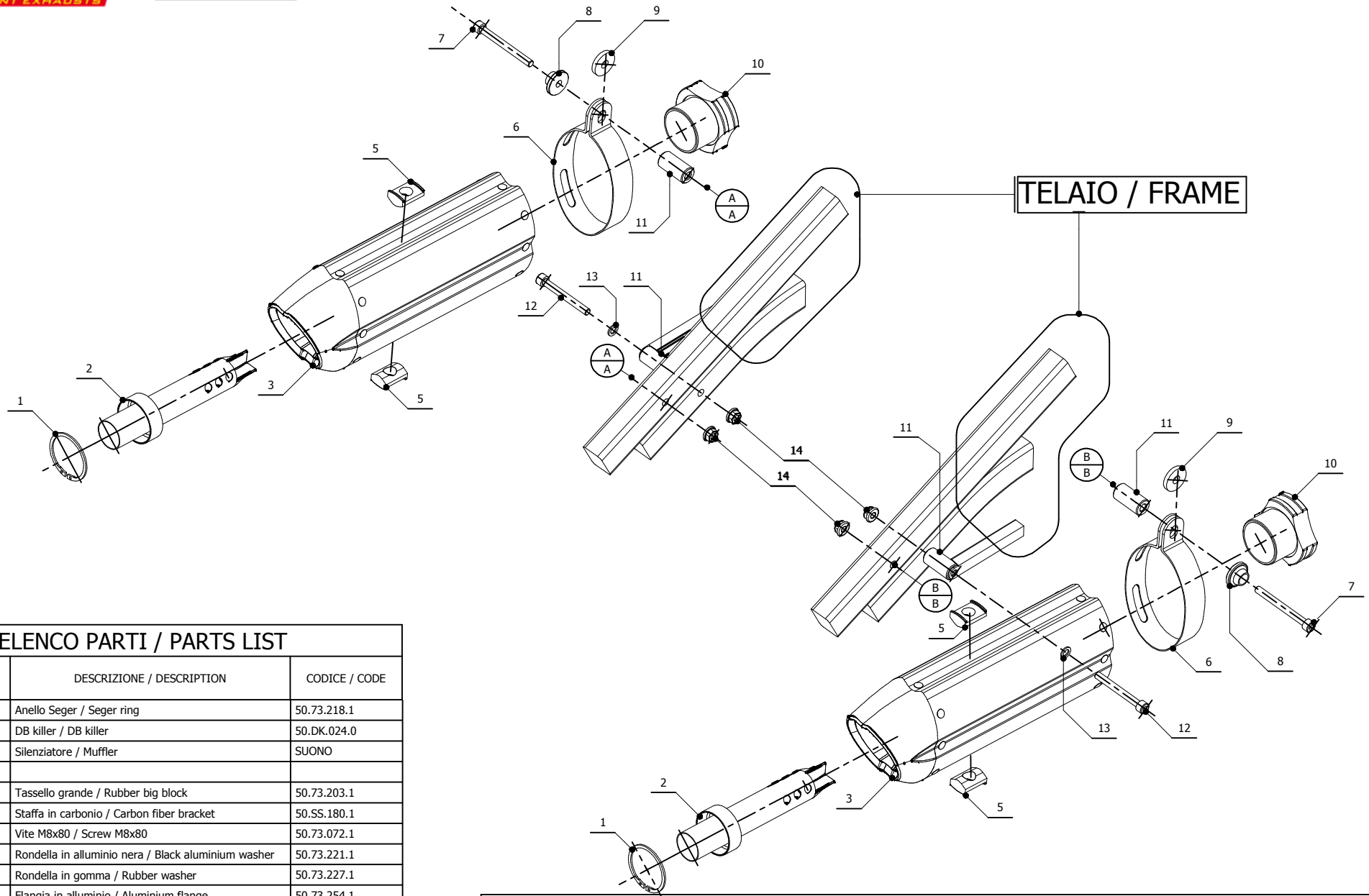




MODEL KTM 990 SUPERMOTO R
KTM LC8 950 SUPERMOTO R
LINE SPORT

YEAR 2007-->
2005-2006
MUFFLER SUONO

SCHEMATIC



ELENCO PARTI / PARTS LIST

#	QTÀ / QTY	DESCRIZIONE / DESCRIPTION	CODICE / CODE
1	2	Anello Seger / Seger ring	50.73.218.1
2	2	DB killer / DB killer	50.DK.024.0
3	2	Silenziatore / Muffler	SUONO
4			
5	4	Tassello grande / Rubber big block	50.73.203.1
6	2	Staffa in carbonio / Carbon fiber bracket	50.SS.180.1
7	2	Vite M8x80 / Screw M8x80	50.73.072.1
8	2	Rondella in alluminio nera / Black aluminium washer	50.73.221.1
9	2	Rondella in gomma / Rubber washer	50.73.227.1
10	2	Flangia in alluminio / Aluminium flange	50.73.254.1
11	4	Distanziale in alluminio / Aluminium spacer	50.SS.074.1
12	2	Vite M8x70 / Screw M8x70	50.73.086.1
13	2	Rondella M8 / Washer M8	50.73.270.1
14	4	Dado 8 MA flangiato / Flanged nut 8 MA	50.73.052.1

APPLICAZIONI / APPLICATIONS

CODICE / CODE	TUBO / PIPE	SILENZIATORE / MUFFLER	FASCETTA / CLAMP
KT.005.L7	INOX / ST. STEEL	INOX (COPPE CARBONIO) / ST. STEEL (CARBON CAPS)	CARBONIO / CARBON FIBER
KT.005.L9	INOX / ST. STEEL	CARBONIO (COPPE CARBONIO) / CARBON (CARBON CAPS)	CARBONIO / CARBON FIBER