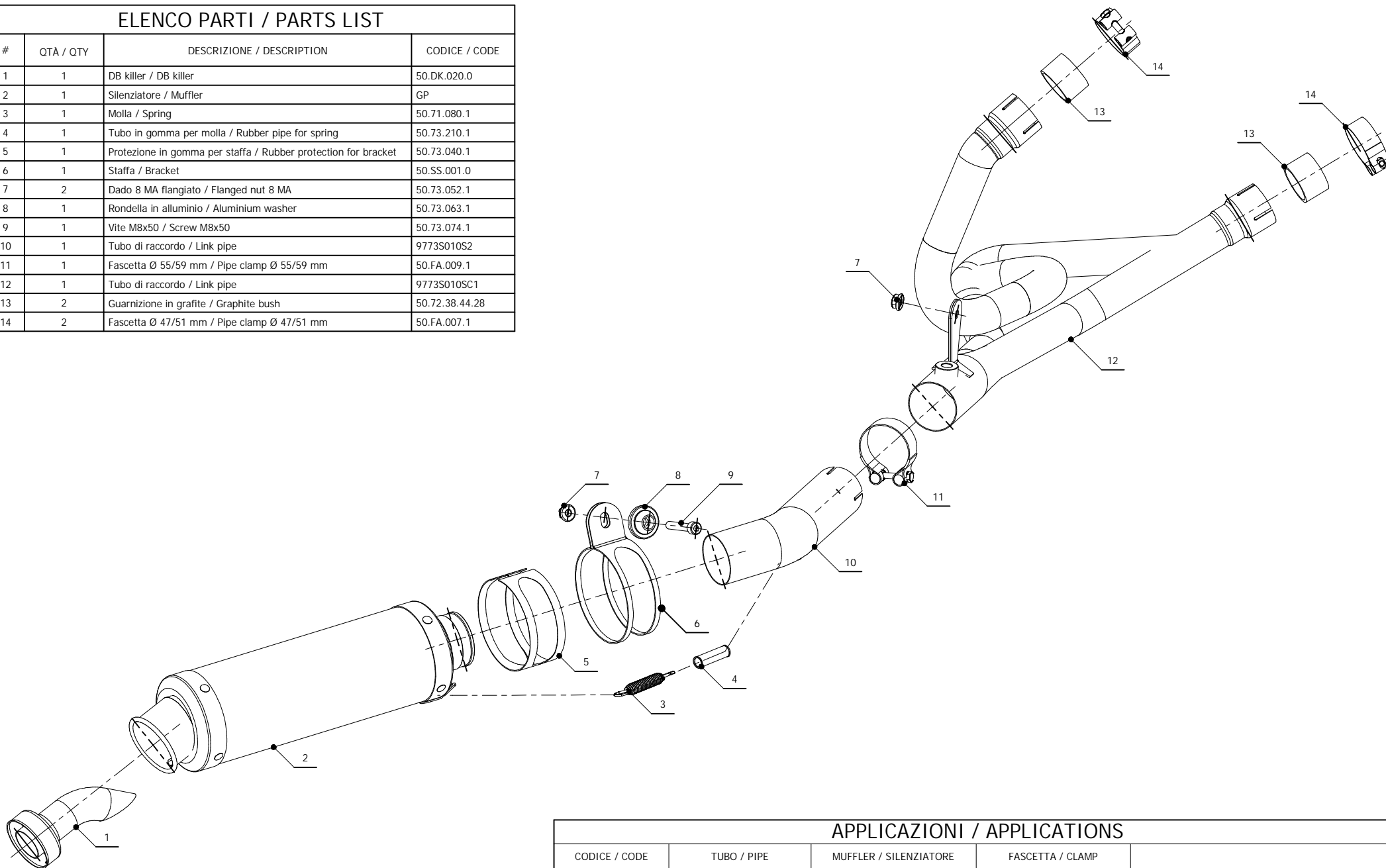


ELENCO PARTI / PARTS LIST

#	QTA / QTY	DESCRIZIONE / DESCRIPTION	CODICE / CODE
1	1	DB killer / DB killer	50.DK.020.0
2	1	Silenziatore / Muffler	GP
3	1	Molla / Spring	50.71.080.1
4	1	Tubo in gomma per molla / Rubber pipe for spring	50.73.210.1
5	1	Protezione in gomma per staffa / Rubber protection for bracket	50.73.040.1
6	1	Staffa / Bracket	50.SS.001.0
7	2	Dado 8 MA flangiato / Flanged nut 8 MA	50.73.052.1
8	1	Rondella in alluminio / Aluminium washer	50.73.063.1
9	1	Vite M8x50 / Screw M8x50	50.73.074.1
10	1	Tubo di raccordo / Link pipe	9773S010S2
11	1	Fascetta Ø 55/59 mm / Pipe clamp Ø 55/59 mm	50.FA.009.1
12	1	Tubo di raccordo / Link pipe	9773S010SC1
13	2	Guarnizione in grafite / Graphite bush	50.72.38.44.28
14	2	Fascetta Ø 47/51 mm / Pipe clamp Ø 47/51 mm	50.FA.007.1


APPLICAZIONI / APPLICATIONS

CODICE / CODE	TUBO / PIPE	MUFFLER / SILENZIATORE	FASCETTA / CLAMP
S.010.L2S	INOX / STAINLESS STEEL	CARBONIO / CARBON FIBER	INOX / STAINLESS STEEL
S.010.L6S	INOX / STAINLESS STEEL	TITANIO / TITANIUM	INOX / STAINLESS STEEL