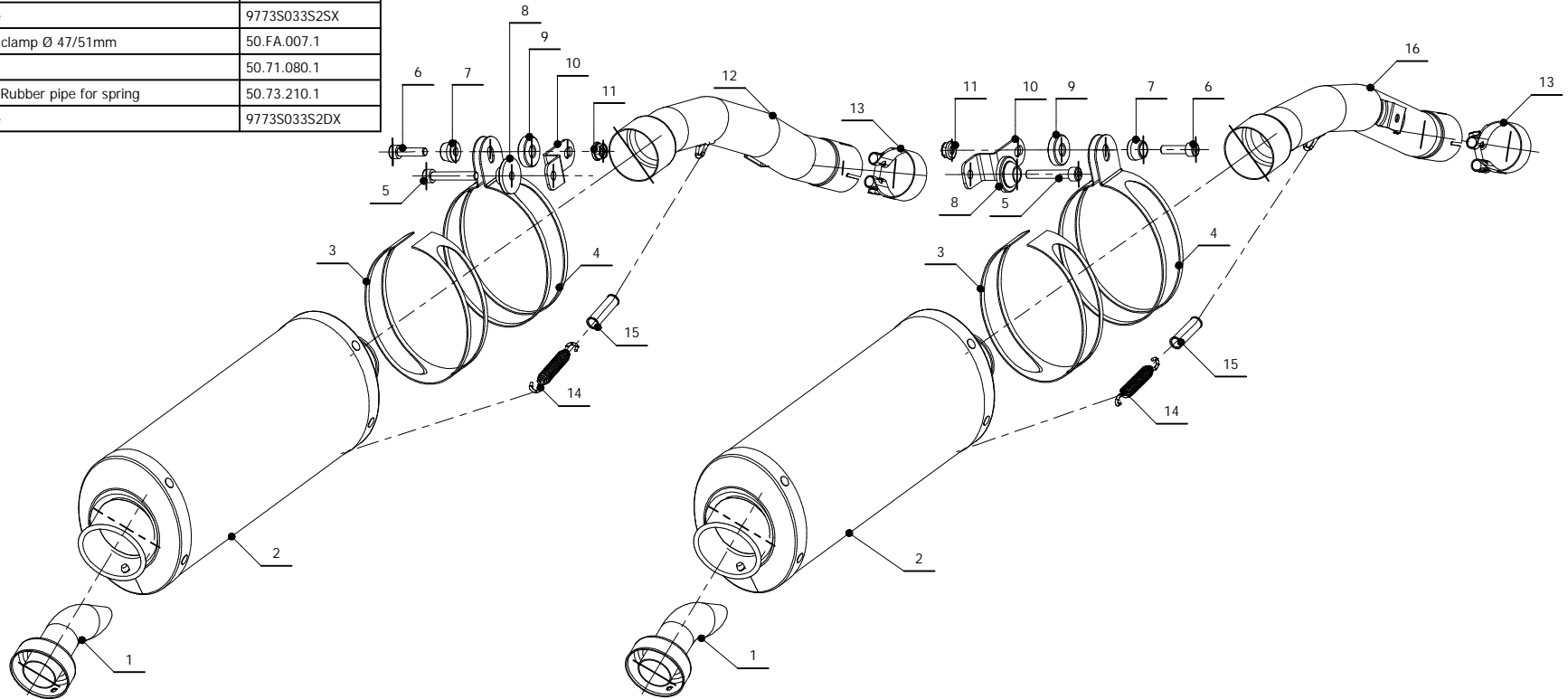


ELENCO PARTI / PARTS LIST

| # | QTA / QTY | DESCRIZIONE / DESCRIPTION | CODICE / CODE |
|----|-----------|--|---------------|
| 1 | 2 | DB killer / DB killer | 50.DK.020.0 |
| 2 | 2 | Silenziatore / Muffler | OVAL |
| 3 | 2 | Protezione in gomma per staffa / Rubber protection for bracket | 50.73.041.1 |
| 4 | 2 | Staffa / Bracket | 50.SS.002.0 |
| 5 | 2 | Vite M8x50 / Screw M8x50 | 50.73.074.1 |
| 6 | 2 | Vite M8x30 / Screw M8x30 | 50.73.219.1 |
| 7 | 2 | Rondella in alluminio / Aluminium washer | 50.73.248.1 |
| 8 | 2 | Rondella in alluminio / Aluminium washer | 50.73.063.1 |
| 9 | 2 | Distanziale in alluminio / Aluminium spacer | 50.SS.061.1 |
| 10 | 2 | Staffa / Bracket | 50.SS.129.1 |
| 11 | 2 | Dado 8 MA flangiato / Flanged nut 8 MA | 50.73.052.1 |
| 12 | 1 | Tubo di raccordo / Link pipe | 9773S033S2SX |
| 13 | 2 | Fascetta Ø 47/51mm / Pipe clamp Ø 47/51mm | 50.FA.007.1 |
| 14 | 2 | Molla / Spring | 50.71.080.1 |
| 15 | 2 | Tubo in gomma per molla / Rubber pipe for spring | 50.73.210.1 |
| 16 | 1 | Tubo di raccordo / Link pipe | 9773S033S2DX |


APPLICAZIONI / APPLICATIONS

| CODICE / CODE | TUBO / PIPE | SILENZIATORE / MUFFLER | FASCETTA / CLAMP |
|---------------|------------------------|-------------------------|------------------------|
| S.033.LE | INOX / STAINLESS STEEL | CARBONIO / CARBON FIBER | INOX / STAINLESS STEEL |
| S.033.LN | INOX / STAINLESS STEEL | TITANIO / TITANIUM | INOX / STAINLESS STEEL |
| S.033.LX2 | INOX / STAINLESS STEEL | INOX / STAINLESS STEEL | INOX / STAINLESS STEEL |