



MODEL YAMAHA YZF R1

YEAR 2002-2003

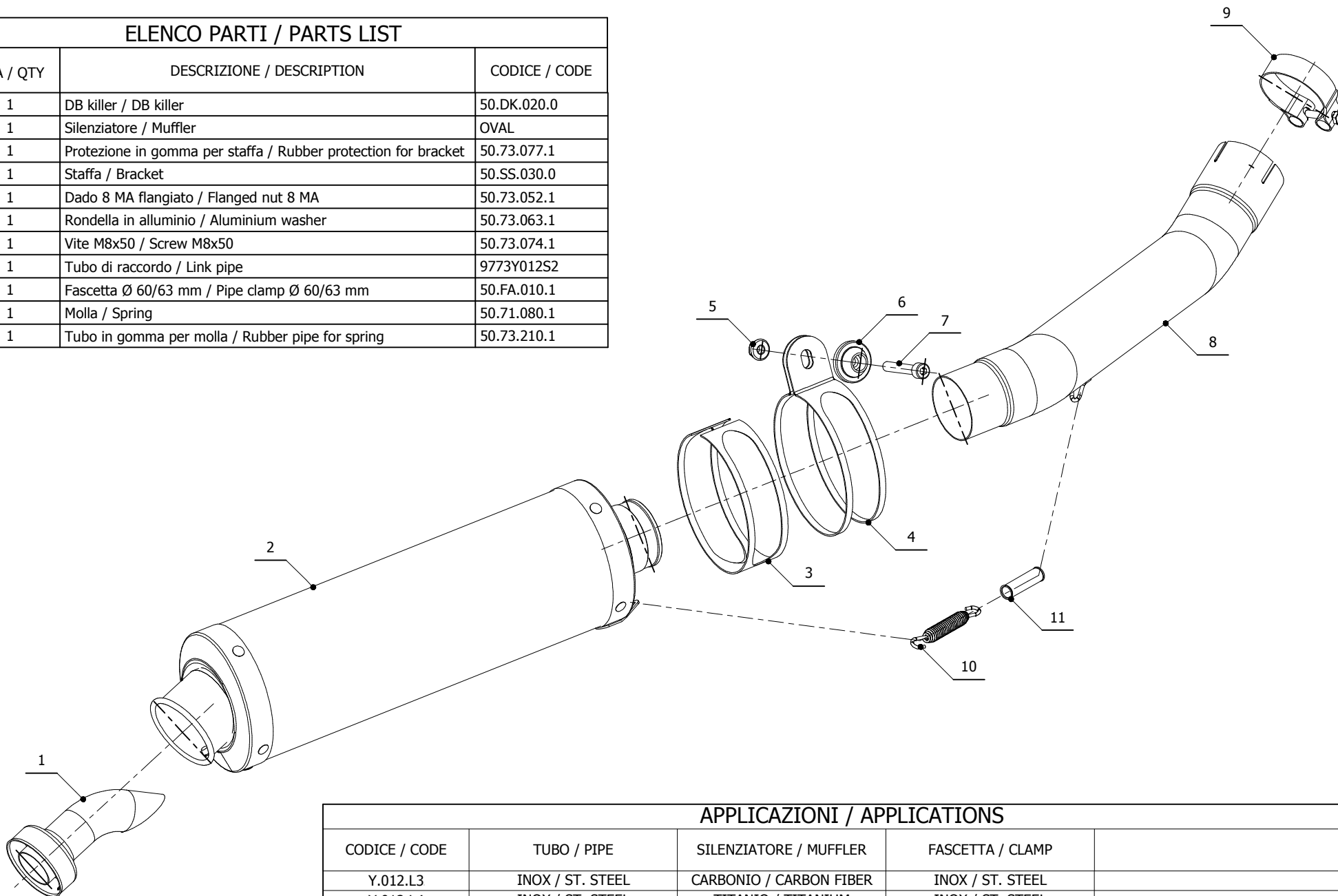
LINE SPORT

MUFFLER OVAL

SCHEMATIC

ELENCO PARTI / PARTS LIST

#	QTÀ / QTY	DESCRIZIONE / DESCRIPTION	CODICE / CODE
1	1	DB killer / DB killer	50.DK.020.0
2	1	Silenziatore / Muffler	OVAL
3	1	Protezione in gomma per staffa / Rubber protection for bracket	50.73.077.1
4	1	Staffa / Bracket	50.SS.030.0
5	1	Dado 8 MA flangiato / Flanged nut 8 MA	50.73.052.1
6	1	Rondella in alluminio / Aluminium washer	50.73.063.1
7	1	Vite M8x50 / Screw M8x50	50.73.074.1
8	1	Tubo di raccordo / Link pipe	9773Y012S2
9	1	Fascetta Ø 60/63 mm / Pipe clamp Ø 60/63 mm	50.FA.010.1
10	1	Molla / Spring	50.71.080.1
11	1	Tubo in gomma per molla / Rubber pipe for spring	50.73.210.1



APPLICAZIONI / APPLICATIONS

CODICE / CODE	TUBO / PIPE	SILENZIATORE / MUFFLER	FASCETTA / CLAMP
Y.012.L3	INOX / ST. STEEL	CARBONIO / CARBON FIBER	INOX / ST. STEEL
Y.012.L4	INOX / ST. STEEL	TITANIO / TITANIUM	INOX / ST. STEEL
Y.012.LX1	INOX / ST. STEEL	INOX / ST. STEEL	INOX / ST. STEEL