



MODEL YAMAHA FZ8 / FAZER 8

YEAR 2010-->

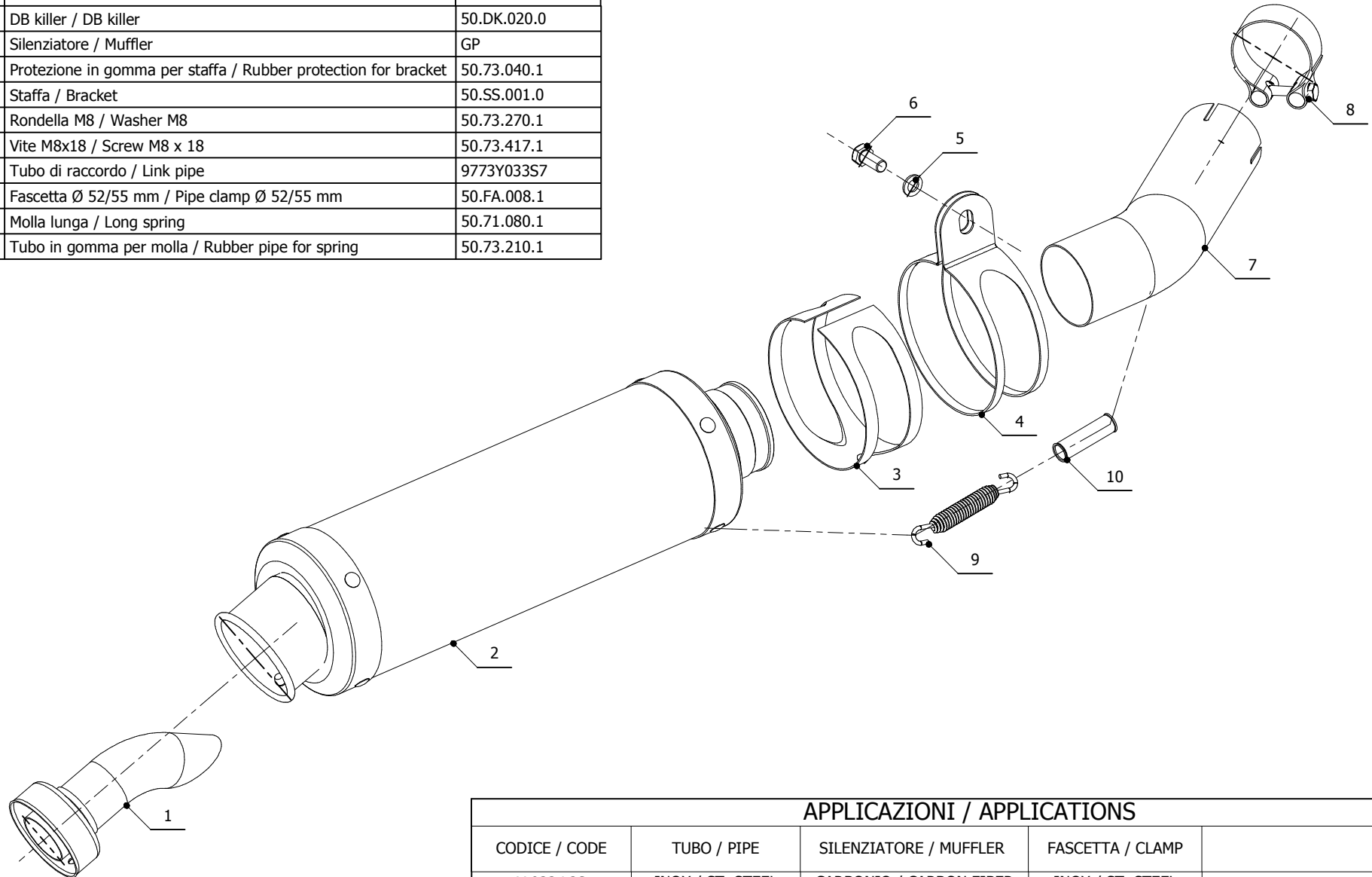
LINE SPORT

MUFFLER GP

SCHEMATIC

ELENCO PARTI / PARTS LIST

#	QTÀ / QTY	DESCRIZIONE / DESCRIPTION	CODICE / CODE
1	1	DB killer / DB killer	50.DK.020.0
2	1	Silenziatore / Muffler	GP
3	1	Protezione in gomma per staffa / Rubber protection for bracket	50.73.040.1
4	1	Staffa / Bracket	50.SS.001.0
5	1	Rondella M8 / Washer M8	50.73.270.1
6	1	Vite M8x18 / Screw M8 x 18	50.73.417.1
7	1	Tubo di raccordo / Link pipe	9773Y033S7
8	1	Fascetta Ø 52/55 mm / Pipe clamp Ø 52/55 mm	50.FA.008.1
9	1	Molla lunga / Long spring	50.71.080.1
10	1	Tubo in gomma per molla / Rubber pipe for spring	50.73.210.1



APPLICAZIONI / APPLICATIONS

CODICE / CODE	TUBO / PIPE	SILENZIATORE / MUFFLER	FASCETTA / CLAMP
Y.033.L2S	INOX / ST. STEEL	CARBONIO / CARBON FIBER	INOX / ST. STEEL
Y.033.L6S	INOX / ST. STEEL	TITANIO / TITANIUM	INOX / ST. STEEL