



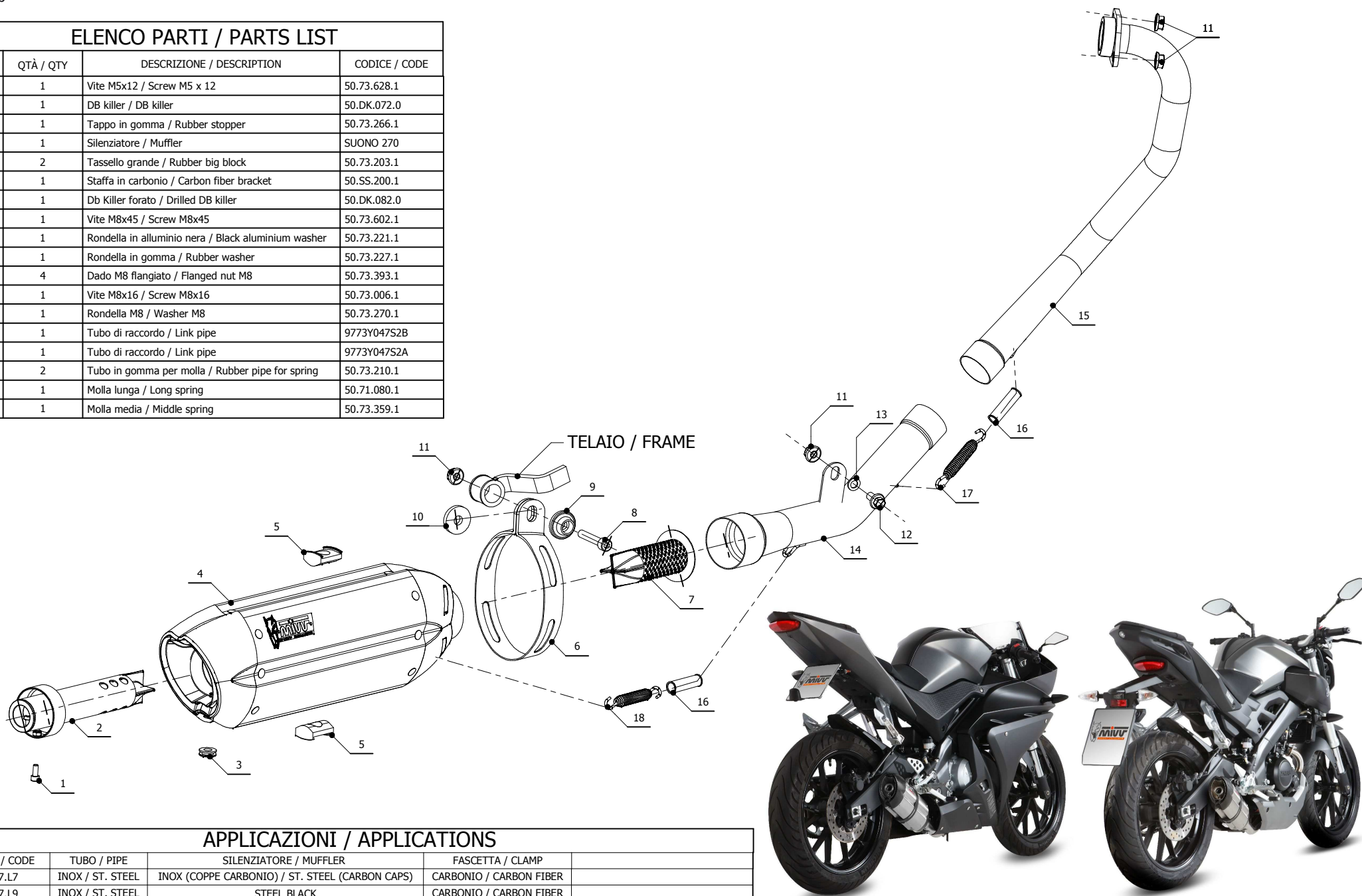
MODEL YAMAHA YZF R125
YAMAHA MT 125
LINE SPORT

YEAR 2014-
2015-
MUFFLER SUONO

SCHEMATIC

ELENCO PARTI / PARTS LIST

#	QTÀ / QTY	DESCRIZIONE / DESCRIPTION	CODICE / CODE
1	1	Vite M5x12 / Screw M5 x 12	50.73.628.1
2	1	DB killer / DB killer	50.DK.072.0
3	1	Tappo in gomma / Rubber stopper	50.73.266.1
4	1	Silenziatore / Muffler	SUONO 270
5	2	Tassello grande / Rubber big block	50.73.203.1
6	1	Staffa in carbonio / Carbon fiber bracket	50.SS.200.1
7	1	Db Killer forato / Drilled DB killer	50.DK.082.0
8	1	Vite M8x45 / Screw M8x45	50.73.602.1
9	1	Rondella in alluminio nero / Black aluminium washer	50.73.221.1
10	1	Rondella in gomma / Rubber washer	50.73.227.1
11	4	Dado M8 flangiato / Flanged nut M8	50.73.393.1
12	1	Vite M8x16 / Screw M8x16	50.73.006.1
13	1	Rondella M8 / Washer M8	50.73.270.1
14	1	Tubo di raccordo / Link pipe	9773Y047S2B
15	1	Tubo di raccordo / Link pipe	9773Y047S2A
16	2	Tubo in gomma per molla / Rubber pipe for spring	50.73.210.1
17	1	Molla lunga / Long spring	50.71.080.1
18	1	Molla media / Middle spring	50.73.359.1



APPLICAZIONI / APPLICATIONS

CODICE / CODE	TUBO / PIPE	SILENZIATORE / MUFFLER	FASCETTA / CLAMP
Y.047.L7	INOX / ST. STEEL	INOX (COPPE CARBONIO) / ST. STEEL (CARBON CAPS)	CARBONIO / CARBON FIBER
Y.047.L9	INOX / ST. STEEL	STEEL BLACK	CARBONIO / CARBON FIBER