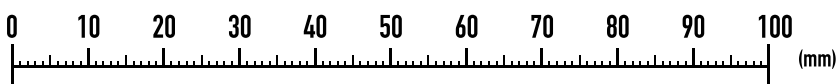
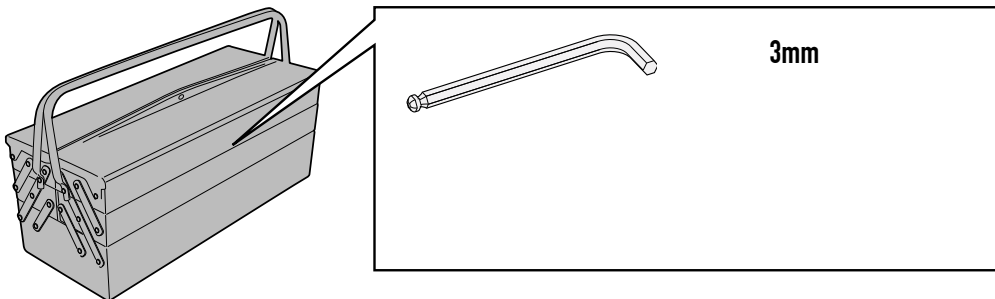
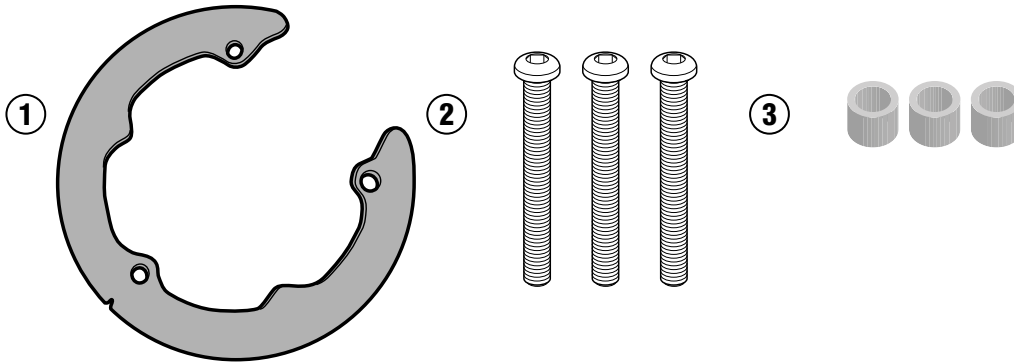


# BF34 - BF34K

Flangia Specifica per borse Tanklock - Specific Carrier for Tanklock bags  
Brides spécifiques pour Tanklock bagagerie souple - Tankringen für tanklock Weichtaschen  
Aro específico para bolsa Tanklock

| N° | Descrizione   | Caratteristiche | Codice    | Quantità |
|----|---|-----------------|-----------|----------|
| 1  | Flangia - Support<br>Brides - Tankringen -<br>Aro   | -               | GL3708V   | 1        |
| 2  | Vite - Screw<br>Vis - Schraube<br>Tornillo  | TBEI M5x40      | 540TBEI   | 3        |
| 3  | Distanziale - Spacer<br>Entretoise - Distanzstueck<br>Distanciador  | Ø8,5x7 foro 6mm | C8,5L7F6T | 3        |
| 4  | Componenti Originali - Original Parts<br>Parties Originales - Original Bauteile<br>Componentes Originales - Componentes<br>Originais  |                 |           |          |
| 5  | Particolari inclusi nella borsa tanklock -<br>Components included in the tanklock bag<br>- Pièces incluses dans la tanklock bag - Teile<br>inkludiert in der tanklock tasche - Compo-<br>nente incluido na bolsa tanklock | -               | -         | -        |

**ONLY FOR XS319 BAG**



ISTRUZIONI DI MONTAGGIO - MOUNTING INSTRUCTIONS  
INSTRUCTIONS DE MONTAGE - BAUANLEITUNG - INSTRUCCIONES  
DE MONTAJE

# BF34 - BF34K

Flangia Specifica per borse Tanklock - Specific Carrier for Tanklock bags  
Brides spécifiques pour Tanklock bagagerie souple - Tankringen für tanklock Weichtaschen  
Aro específico para bolsa Tanklock

