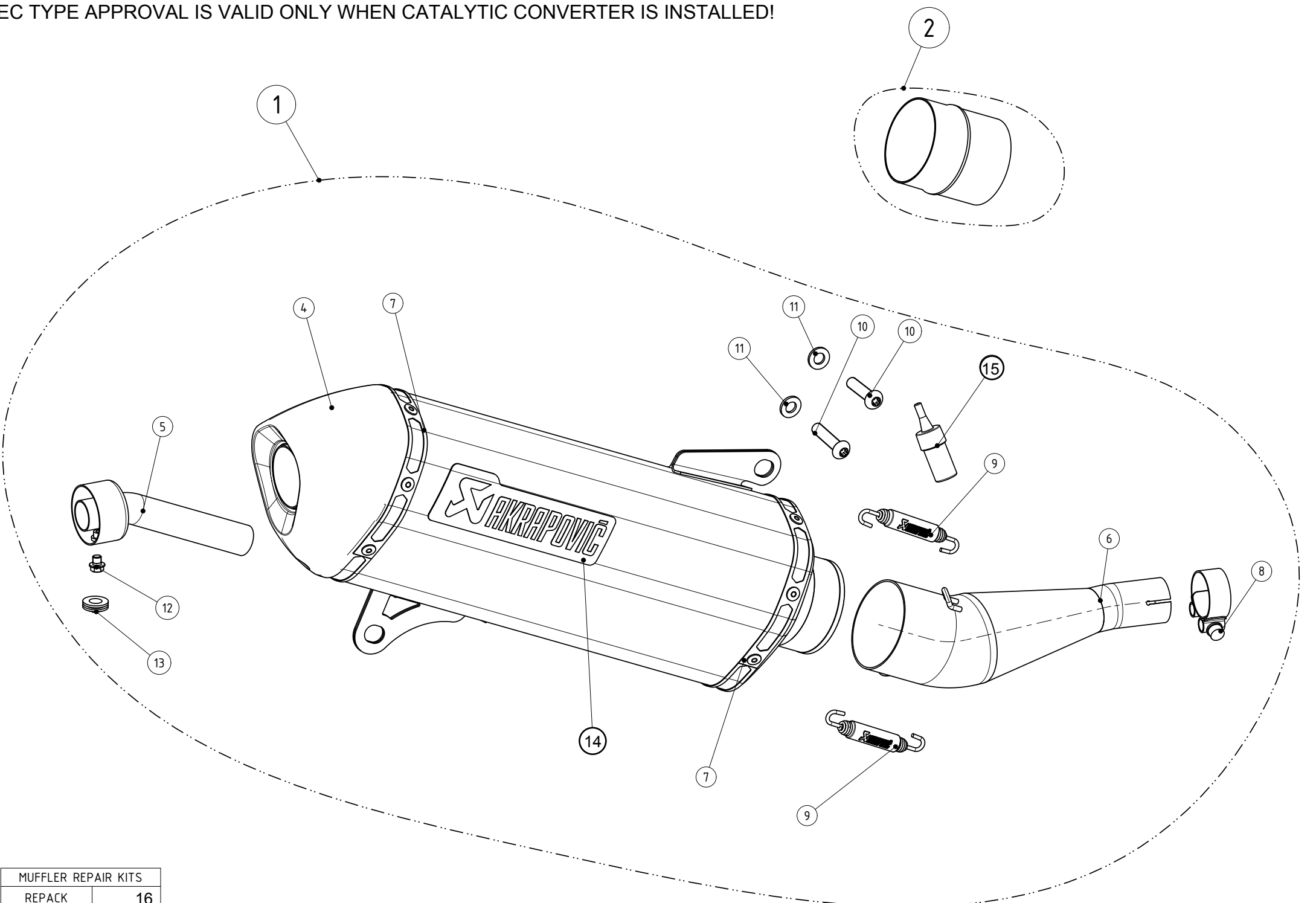


EC TYPE APPROVAL IS VALID ONLY WHEN CATALYTIC CONVERTER IS INSTALLED!



MUFFLER REPAIR KITS	
REPACK	16
SLEEVE	17

No.	SALES CODE	DESCRIPTION	QTY.
1	S-Y2S07-HRSS	slip on system	1
2	P-KAT-039	catalytic converter	1
4	V-EC146	end cap CA	1
5	V-TUV018	insert SS	1
6	L-Y2S02SS	link pipe SS	1
7	P-TT45	belt TI for SS sleeve	2
8	P-R51	clamp SS	1
9	P-S2/1	spring	2
10	P-FB87	bolt	2
11	P-DR82	washer SS	2
12	P-FB56	bolt	1
13	P-GUV004	rubber insert	1
14	P-HST2AL	sticker	1
15	P-HF267	loctite	1
16	P-RPCK101	repack kit	1
17	P-RKS399RSS35	muffler sleeve kit	1